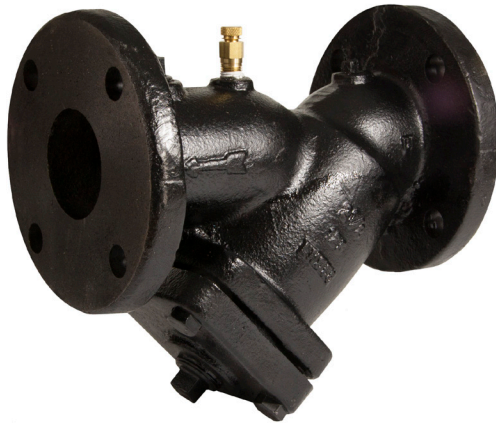


# Y-Strainer

## Y-Strainer • Flange Connection • Class 125



**Terminator Y**

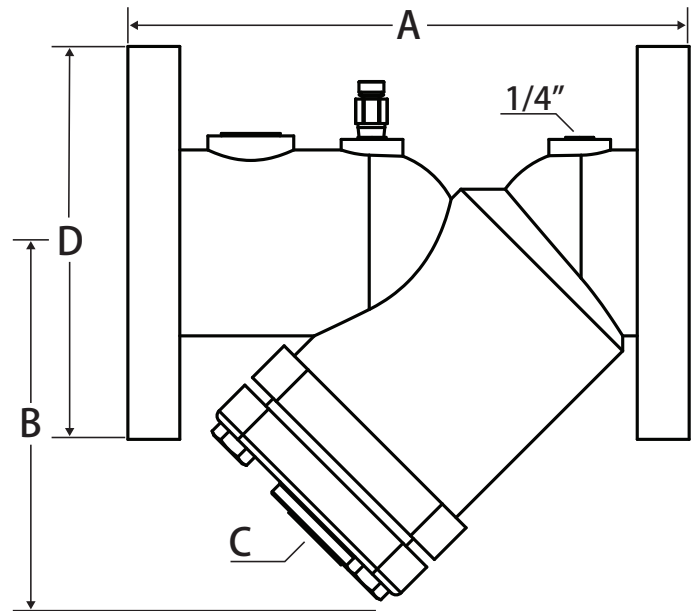
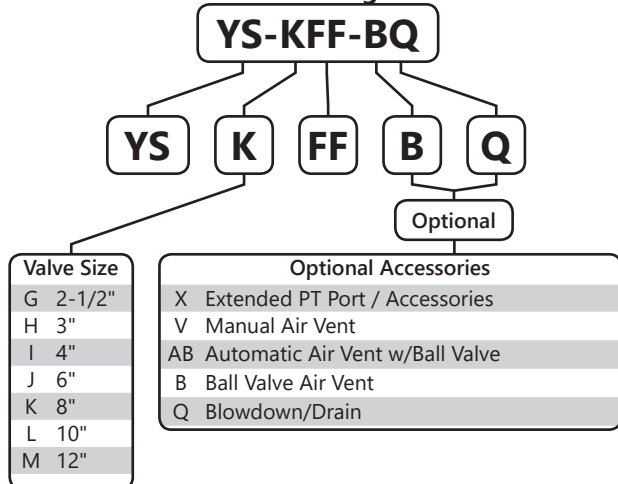
### Features

- Three additional accessory taps
- Class 125 Flange
- 100% leak tested
- Standard Screens:
  - 2" - 4": 1/16" perforations
  - 6" - 8": 1/8" perforations
  - 10" - 12": 3/16" perforations

### Pressure and Temperature Rating

- 200 WOG
- 150°F Max

### Smart Part Number Ordering Guide



**← DIRECTION OF FLOW**

### Material Specifications

Part	Material
Body	Ductile Iron
Service Cover	Ductile Iron
Bolt (4)	Carbon Steel - A307
Gasket	Non-Asbestos
Strainer	304 Stainless Steel

### Dimensions

Size	A	B	C (NPT)	D
2-1/2"	10.00	6.50	0.25	7.00
3"	10.13	7.00	0.25	7.50
4"	12.13	8.25	0.25	9.00
6"	18.50	13.50	0.25	11.00
8"	21.63	15.50	0.25	13.50
10"	26.00	18.50	0.25	16.00
12"	29.88	21.75	0.25	19.00



**WARNING:** This product can expose you to chemicals including lead, which is known to the State of California to cause cancer, and lead, which is known to the State of California to cause birth defects or other reproductive harm. For more information go to [www.P65Warnings.ca.gov](http://www.P65Warnings.ca.gov).