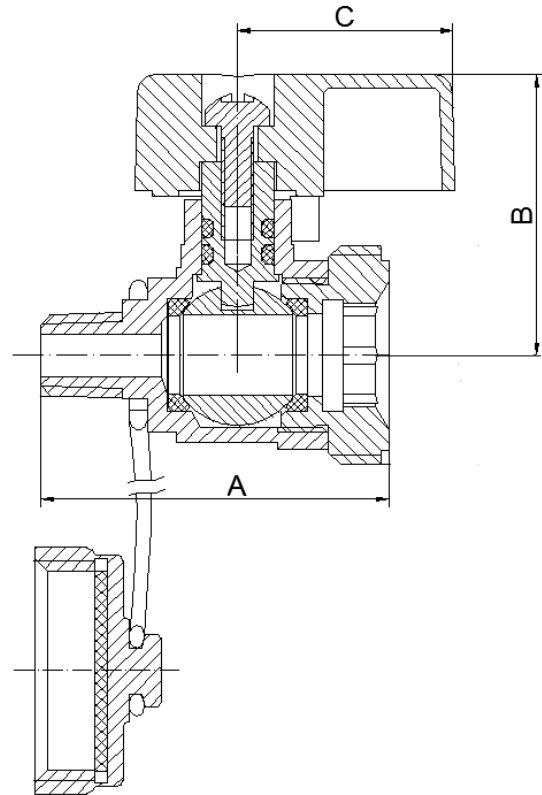
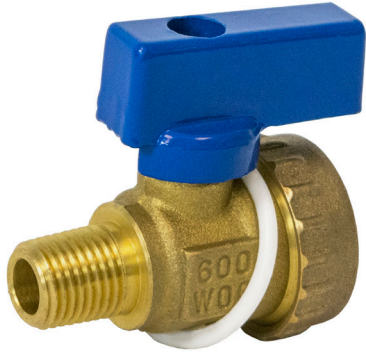


# Drain and Blowdown Valve

## Isolation Ball Valve • 600 WOG



### Features

- 3/4" garden hose drain connection
- Includes drain cap and retainer
- 100% leak tested

### Pressure and Temperature Rating

- 600 WOG
- 300°F Max



**WARNING:** This product can expose you to chemicals including lead, which is known to the State of California to cause cancer, and lead, which is known to the State of California to cause birth defects or other reproductive harm. For more information go to [www.P65Warnings.ca.gov](http://www.P65Warnings.ca.gov).

### Material Specifications

Part	Material
Body	Brass - CW617N
Retaining Ring	Brass - CW617N
Ball	Chrome Plated Brass - C3604DB
Seat (2)	PTFE
Stem	Brass - CW617N
Stem Sealing	EPDM
Handle	Painted Aluminum
Screw	Steel - Nickel Plated
Cap	Brass - CW617N
Retaining Strap	Plastic
Washer Ring	EPDM

### Dimensions

Part #	Inlet	Outlet	A	B	C
TQ-B1	1/4" MNPT	3/4" GH	1.76	1.37	1.06