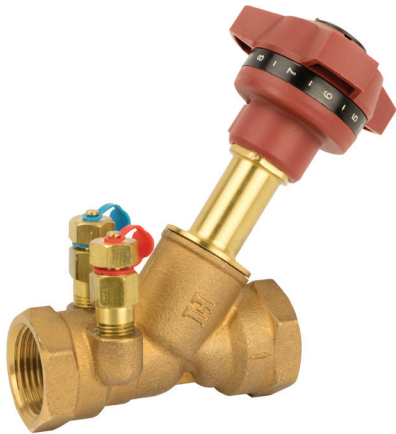


# Manual Balancing Valve

Fixed Orifice • Globe Valve • Memory Stop • 360 WOG



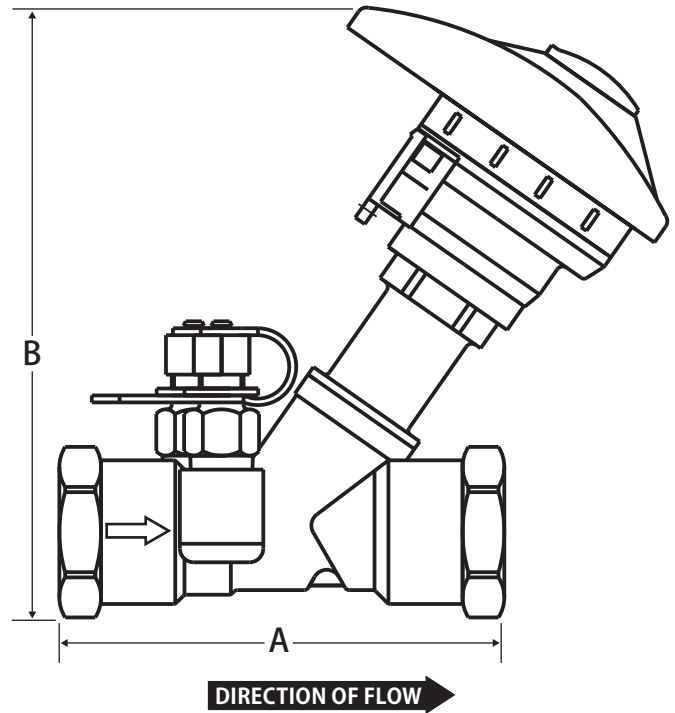
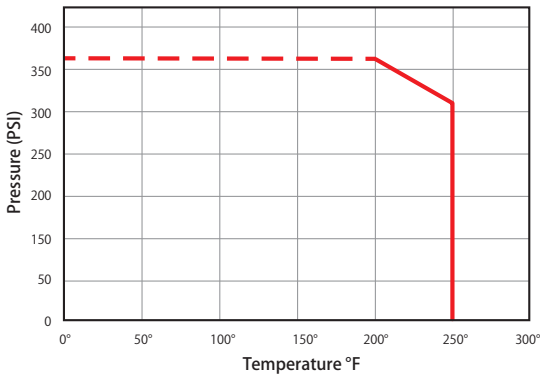
**Terminator G**

## Features

- Integral metering orifice plate
- Characterized equal percent throttling disc
- ±5% flow measurement accuracy
- Microset hand wheel
- Memory stop handle setting
- Pressure and temperature ports
- NPT threads
- Dezincification resistant
- Conforms to BS 7350
- See end of catalog for pressure drop charts

## Temperature Rating

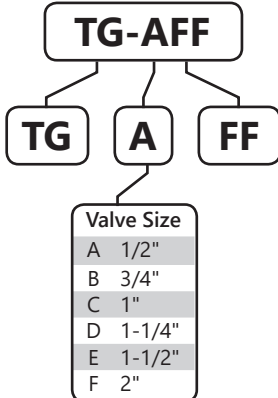
- 360 WOG



Body	Bronze - C83600
Bonnet (1/2" - 1-1/4")	Brass - C35330
(1-1/2" - 2")	Bronze - C83600
Stem	Brass - C35330
Disc (1/2" - 3/4")	Brass - C35330
(1" - 2")	Brass + PTFE - C35330
Orifice Insert	Brass - C35330
Hand Wheel	Plastic

1/2"	3.43	4.45	1.99	1 - 4
3/4"	3.78	4.49	3.43	2 - 10
1"	3.94	5.31	5.49	4 - 20
1-1/4"	4.49	5.35	11.85	8 - 35
1-1/2"	4.92	5.94	19.46	12 - 50
2"	5.75	5.98	31.51	20 - 100

## Smart Part Number Ordering Guide



# Pressure Drop Chart



## Terminator G (1/2" - 2")

### CV of Valves

- 1/2" : 1.99
- 3/4" : 3.43
- 1" : 5.49
- 1-1/4" : 11.85
- 1-1/2" : 19.46
- 2" : 31.51

