

# Manual Balancing Valve

Fixed Orifice • Globe Valve • Flanged • 230 WOG



**Terminator G**

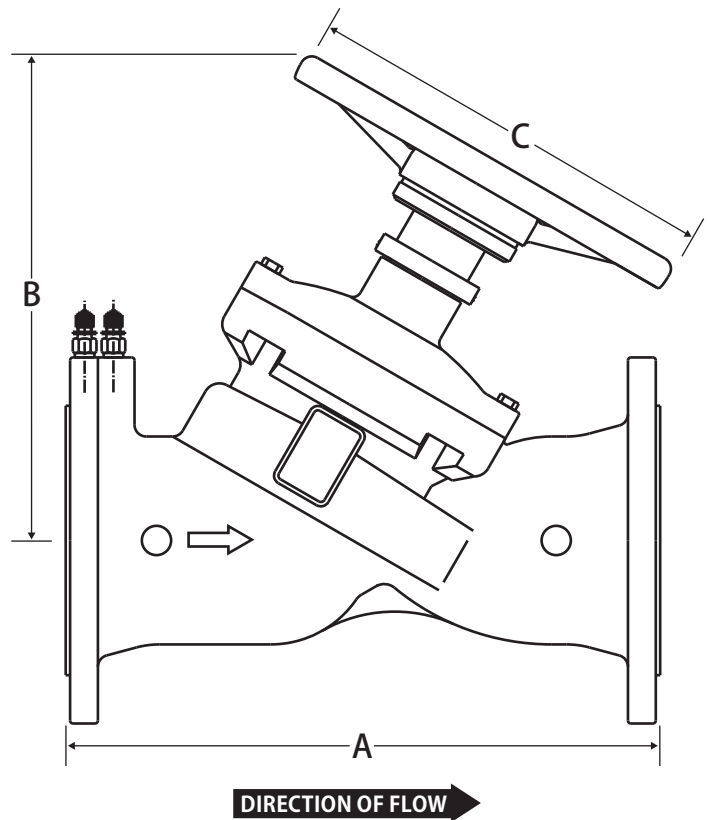
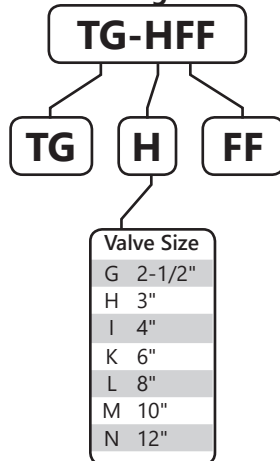
## Features

- Integral metering orifice plate
- Memory stop handle setting
- ±5% flow measurement accuracy
- ANSI Class 150
- Pressure and temperature ports
- Face to face: DIN 3202-1/F1
- EN-558-1 Series 1
- Flange: ANSI B16.5
- Conforms to BS 7350
- See end of catalog for pressure drop charts

## Temperature Rating

- 15-250°F
- 230 WOG

## Smart Part Number Ordering Guide



## Material Specifications

Part	Material
Body	Ductile Iron - ASTM A536
Bonnet	Ductile Iron - ASTM A536
Stem	410 Stainless Steel
Disc	EPDM Coated Ductile Iron - ASTM A536
Gland (2-1/2" - 6")	Brass - C37700
(8" - 12")	Ductile Iron - ASTM A536
Stem Nut	Brass - C37700
Hand Wheel	Ductile Iron - ASTM A536
Test Valve	Brass - C35330
Orifice Insert	Brass - C37700
Packing	Graphite

## Dimensions

Size	A	B	C	Cv	GPM
2-1/2"	11.42	10.43	7.87	120.22	45 - 210
3"	12.20	10.63	7.87	134.10	50 - 240
4"	13.78	12.20	9.45	246.23	100 - 450
6"	18.90	13.39	11.42	550.26	200 - 1100
8"	23.62	21.14	13.78	887.81	350 - 1500
10"	28.74	22.44	16.54	1332.87	500 - 2500
12"	33.46	27.17	16.54	2014.91	800 - 3500



**WARNING:** This product can expose you to chemicals including lead, which is known to the State of California to cause cancer, and lead, which is known to the State of California to cause birth defects or other reproductive harm. For more information go to [www.P65Warnings.ca.gov](http://www.P65Warnings.ca.gov).

# Pressure Drop Chart



## Terminator G (2-1/2" - 12")

### CV of Valves

- 2-1/2" : 120.22
- 3" : 134.10
- 4" : 246.23
- 6" : 550.26
- 8" : 887.81
- 10" : 1332.87
- 12" : 2014.91

### Metering Signal

