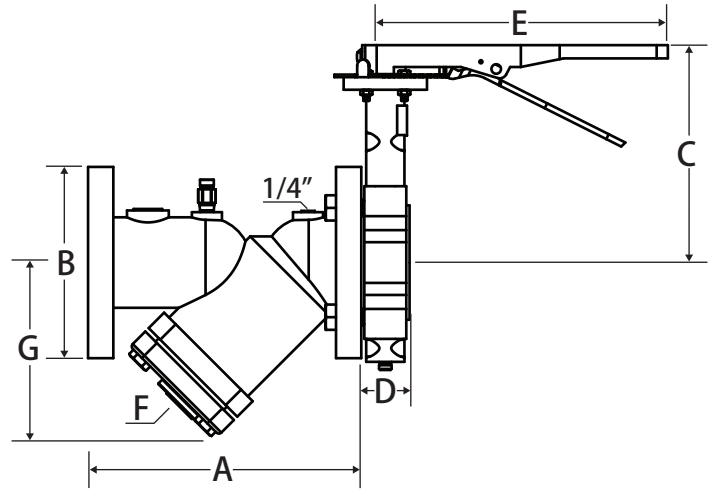


Isolation Y-Strainer

Y-Strainer • Isolation Butterfly Valve • Lug x Flange Connection • Class 125



Terminator S



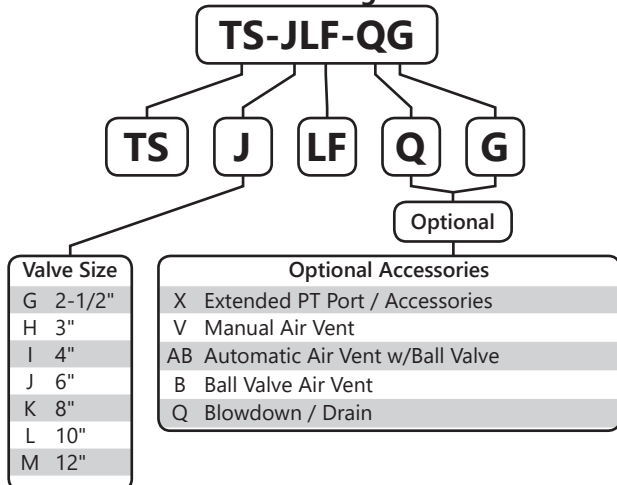
Features

- Pressure / temperature (PT) test port
- Three additional accessory tap
- Ten-position lockable lever handle
- Class 150 Flange
- 100% leak tested
- Standard Screens:
 - 2" - 4": 1/16" perforations
 - 6" - 8": 1/8" perforations
 - 10" - 12": 3/16" perforations

Pressure and Temperature Rating

- 200 WOG
- 150°F Max

Smart Part Number Ordering Guide



Material Specifications

Part	Material
Body	Ductile Iron
Service Cover	Ductile Iron
Bolt (4)	Carbon Steel - A307
Gasket	Non-Asbestos
Strainer	304 Stainless Steel
Butterfly Valve	(See Butterfly Valve Spec Sheet)

Dimensions

Size	A	B	C	D	E	F (NPT)	G
2-1/2"	10.00	7.00	7.60	1.76	10.64	0.25	6.50
3"	10.13	7.50	8.15	1.78	10.64	0.25	7.00
4"	12.13	9.00	8.39	2.05	10.64	0.25	8.25
6"	18.50	11.00	9.13	2.20	10.64	0.25	13.50
8"	21.63	13.50	10.16	2.39	14.18	0.25	15.50
10"	26.00	16.00	11.85	2.58	19.70	0.25	18.50
12"	29.88	19.00	13.11	3.03	19.70	0.25	21.75



WARNING: This product can expose you to chemicals including lead, which is known to the State of California to cause cancer, and lead, which is known to the State of California to cause birth defects or other reproductive harm. For more information go to www.P65Warnings.ca.gov.