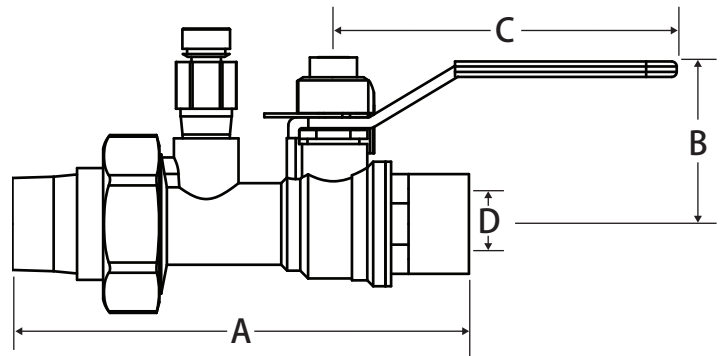


# Manual Balancing Valve

Fixed Orifice • Isolation Ball Valve • Memory Stop • Union •  
600 WOG • with Stainless Steel Trim



Terminator B SS



DIRECTION OF FLOW →

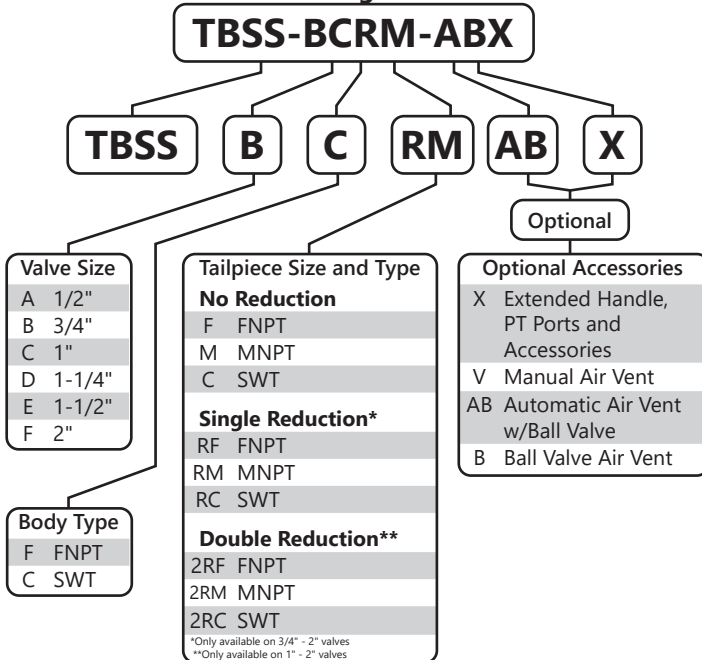
## Features

- Patented removable venturi
- +/- 2% Accuracy
- Two pressure / temperature (PT) test ports
- Location tag
- Additional accessory tap
- Triple sealing stem with 2 Viton® o-rings and Teflon® seal
- Blow out proof stem
- 100% leak tested
- Made in Italy
- Leakproof stem - Lifetime warranty
- See end of catalog for pressure drop charts

## Pressure and Temperature Rating

- 600 WOG
- 325°F Max

## Smart Part Number Ordering Guide



## Material Specifications

| Part              | Material               |
|-------------------|------------------------|
| Body              | Brass - CW617N         |
| End Connection    | Brass - CW617N         |
| Ball              | 316 Stainless Steel    |
| Seat (2)          | Virgin PTFE            |
| Stem              | 316 Stainless Steel    |
| Packing           | Virgin PTFE            |
| Stem O-ring (2)   | Viton®                 |
| Packing Gland     | Brass - CW614N         |
| Handle            | Steel - Geomet® Plated |
| Handle Nut        | Steel - Geomet® Plated |
| Metering Plate    | Aluminum               |
| Memory Stop       | Brass - CW617N         |
| Memory Stop Screw | Steel - Geomet® Plated |
| Union O-ring      | Viton®                 |
| Tail Piece        | Brass - CW617N         |
| Union Nut         | Brass - CW617N         |
| Venturi           | Brass - CW614N         |
| Venturi O-ring    | Viton®                 |

## Dimensions

| Size   | A*   | B    | C    | D    |
|--------|------|------|------|------|
| 1/2"   | 4.56 | 1.57 | 2.95 | 0.59 |
| 3/4"   | 4.88 | 1.57 | 2.95 | 0.59 |
| 1"     | 5.65 | 1.93 | 3.74 | 0.79 |
| 1-1/4" | 7.00 | 2.44 | 4.72 | 0.98 |
| 1-1/2" | 7.81 | 2.64 | 4.72 | 1.26 |
| 2"     | 9.19 | 3.29 | 5.91 | 1.58 |

\*Length is for a SWT x MNPT valve, additional dimensions available upon request



**WARNING:** This product can expose you to chemicals including lead, which is known to the State of California to cause cancer, and lead, which is known to the State of California to cause birth defects or other reproductive harm. For more information go to [www.P65Warnings.ca.gov](http://www.P65Warnings.ca.gov).

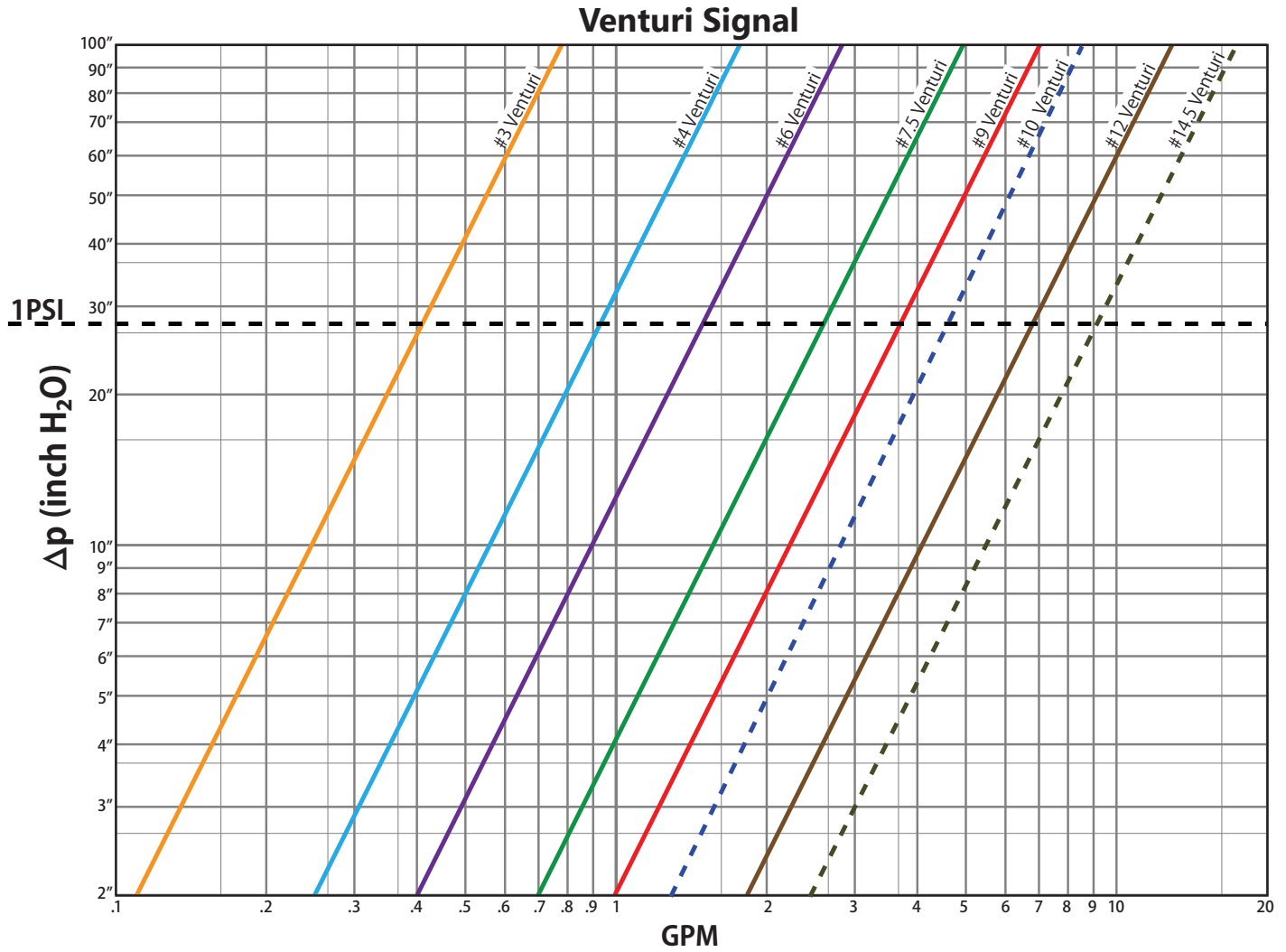
# Pressure Drop Chart



## Terminator B (1/2" - 1")

### CV of Valves

- #3 Venturi: **0.44**
- #4 Venturi: **1.30**
- #6 Venturi: **2.65**
- #7.5 Venturi: **3.61**
- #9 Venturi: **7.05**
- #12 Venturi: **11.40**
- #10 Venturi: **7.05**
- #14.5 Venturi: **17.6**



# Pressure Drop Chart



## Terminator B (1-1/4" - 2")

### CV of Valves

- 1-1/4" w/ #13 Venturi: **15.0**
- 1-1/4" w/ #19 Venturi: **34.0**
- 1-1/2" w/ #15 Venturi: **20.9**
- 1-1/2" w/ #22 Venturi: **57.0**
- 2" w/ #18 Venturi: **30.8**
- 2" w/ #25 Venturi: **57.0**
- 2" w/ #32 Venturi: **88.0**

### Venturi Signal

