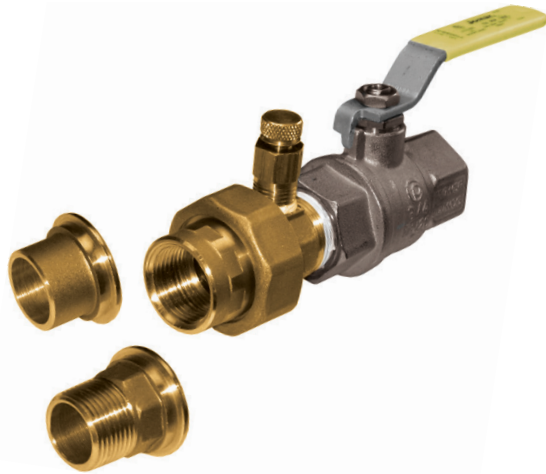


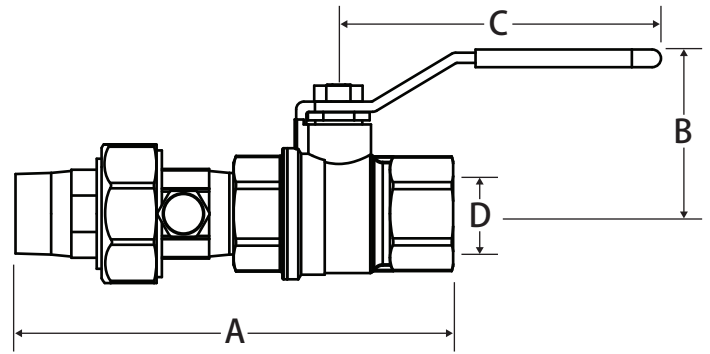
# Combination Ball Valve



Isolation Ball Valve • Union • 600 WOG • with Stainless Steel Trim



Terminator N SS



DIRECTION OF FLOW

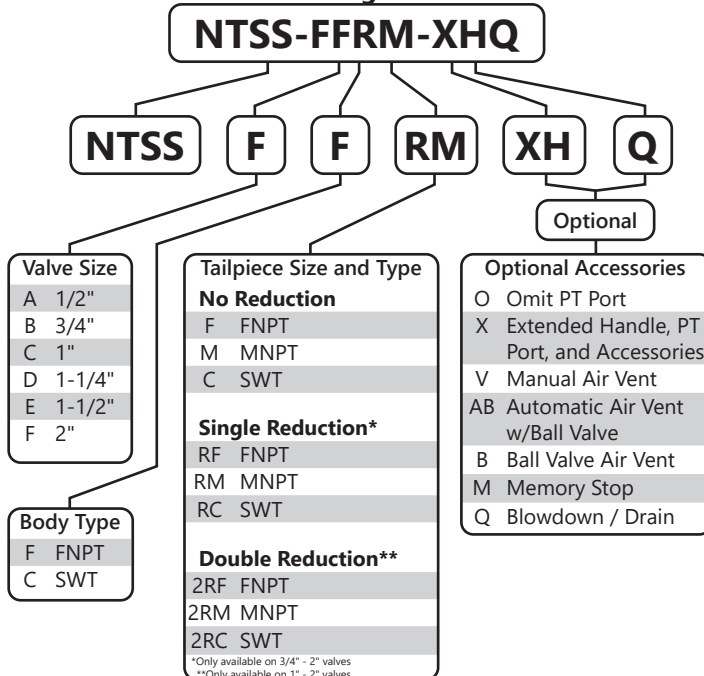
## Features

- Pressure / temperature (PT) test ports
- Additional accessory tap
- Triple sealing stem with 2 Viton® o-rings and Teflon® seal
- Blow out proof stem
- 100% leak tested
- Leakproof stem - Lifetime warranty

## Pressure and Temperature Rating

- 600 WOG
- 325°F Max

## Smart Part Number Ordering Guide



## Material Specifications

Part	Material
Body	T.E.A. Coated Brass - CW617N
End Connection	T.E.A. Coated Brass - CW617N
Ball	316 Stainless Steel
Seat (2)	Hostaflon® TFM 1600
Stem	316 Stainless Steel
Packing	Hostaflon® TFM 1600
Stem O-ring (2)	Viton®
Packing Gland	Nickel Plated Brass - CW614N
Handle	Steel - Geomet® Plated
Handle Nut	Steel - Geomet® Plated
Union	(See Terminator U Spec Sheet)

## Dimensions

Size	A	B	C	D	Cv
1/2"	5.17	1.53	2.95	0.59	16.82
3/4"	5.34	1.93	3.74	0.79	34.80
1"	6.03	2.40	4.72	1.00	52.20
1-1/4"	7.22	2.59	4.72	1.25	112.52
1-1/2"	7.70	3.22	5.90	1.57	174.00
2"	8.62	3.50	5.90	2.00	255.20

\*Length is for a FNPT x MNPT valve, additional dimensions available upon request



**WARNING:** This product can expose you to chemicals including lead, which is known to the State of California to cause cancer, and lead, which is known to the State of California to cause birth defects or other reproductive harm. For more information go to [www.P65Warnings.ca.gov](http://www.P65Warnings.ca.gov).