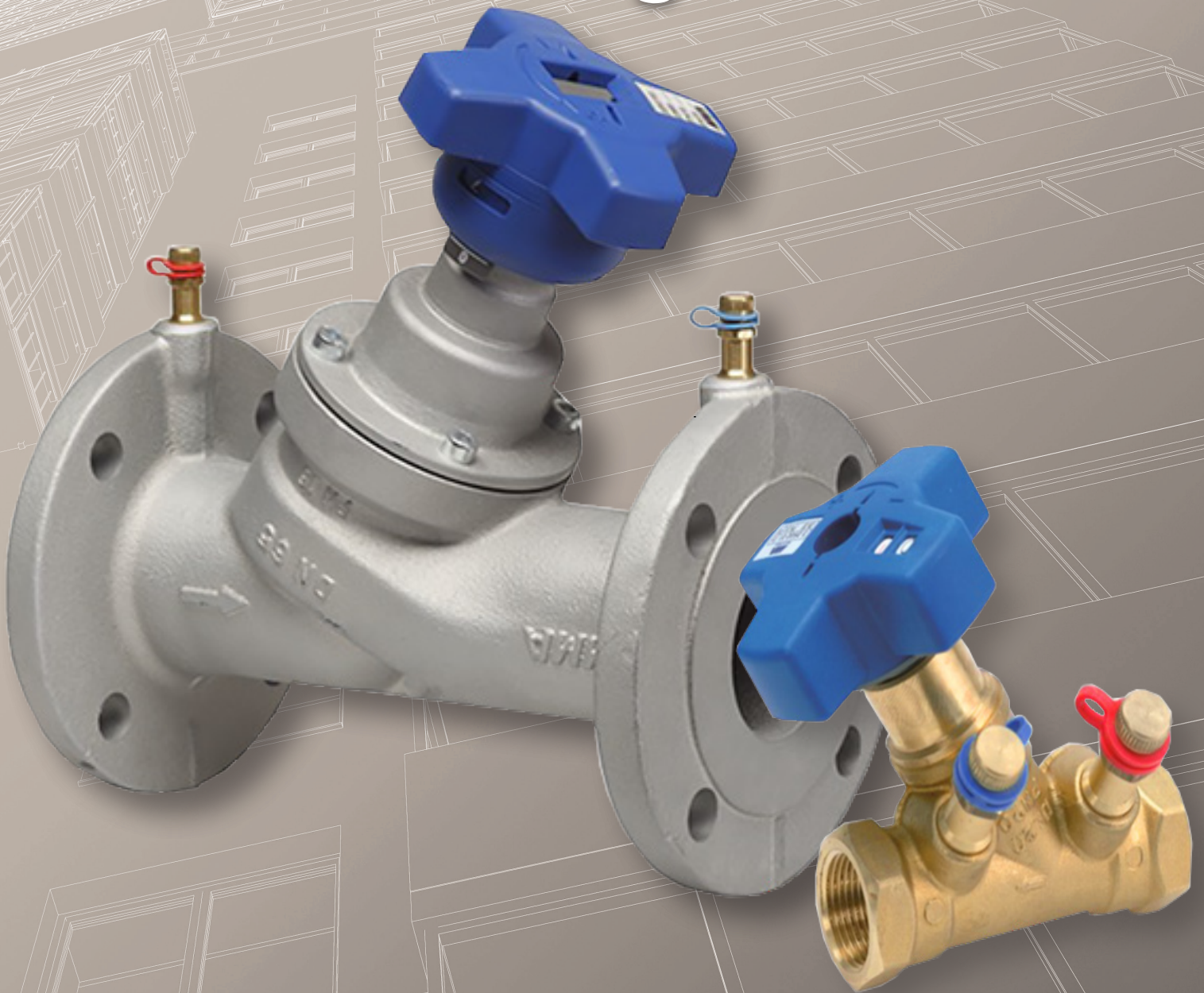


Fixed Orifice Multi-Turn Balancing Valve



- Larger flow range compared to fixed orifice valve
- Lockable memory stop handle
- Easy-turn, 10 revolution hand wheel for extra fine control
- Dezincification resistant brass and cast iron body
- 1/2" - 2" threaded and sweat connections - 2-1/2" - 12" ANSI Class 150 flange

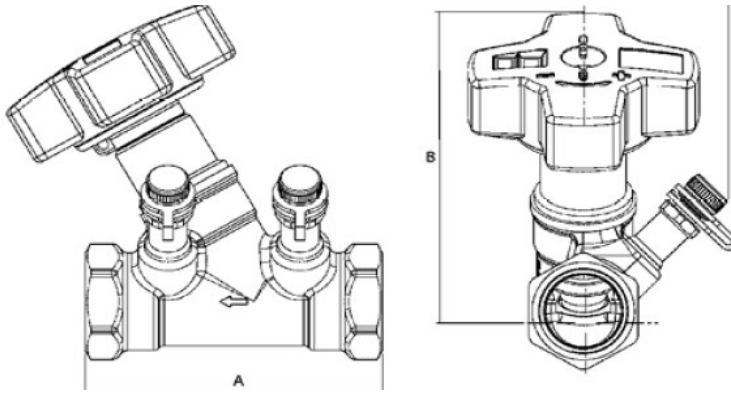
Terminator G

from



7243 Miller Drive, Warren, MI 48092 • (586) 268-1220 • www.jomarvalve.com

Terminator GV 360 WOG



Features

- "Y" pattern globe style design
- Dezincification resistant brass
- Positive shut-off
- Offset pressure/temperature ports
- Multi-turn, 360° handwheel with vernier scale and digital readouts
- Built-in memory stop
- Precise flow measurement and flow balancing

Temperature and Pressure Rating

- 300 PSI
- -4°F to 250°F

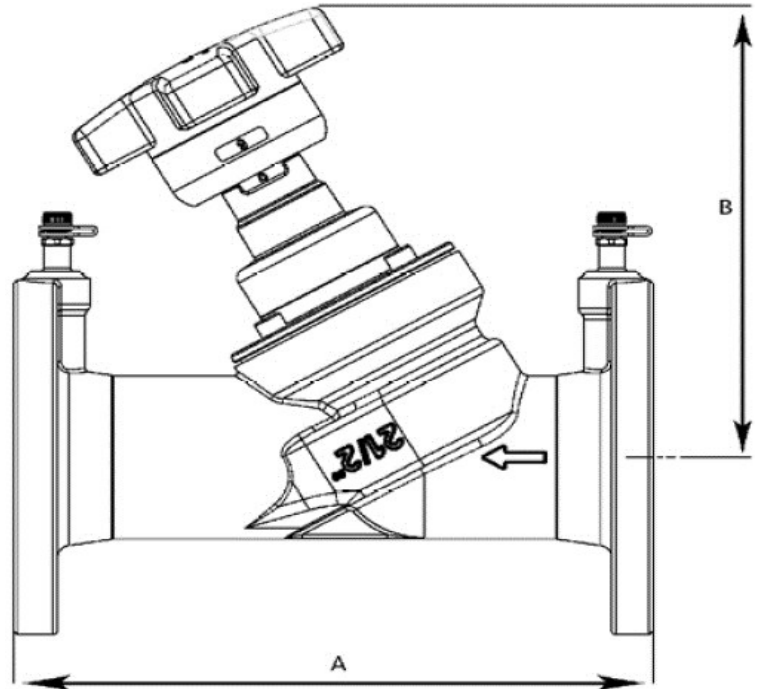
Material Specifications

Part	Material
Body, Bonnet	Brass
Gasket	EPDM
Seat Seal	EPDM
Hand Wheel	Plastic

Dimensions

Part Number	Size	Price	A	B	C	Minimum Flow	Nominal Flow	Maximum Flow
Threaded Connection								
TGV-AFF	1/2"	\$74.12	3.39	3.74	1.57	0.14	0.50-3.08	12.10
TGV-BFF	3/4"	\$80.33	3.54	3.74	1.65	0.26	3.80-5.50	17.40
TGV-CFF	1"	\$104.88	4.02	3.78	1.73	0.37	5.50-9.50	30.00
TGV-DFE	1-1/4"	\$158.77	4.72	3.78	1.85	0.60	9.50-14	44.60
TGV-EFF	1-1/2"	\$179.23	5.20	4.25	1.93	0.91	14-20	66.40
TGV-FFF	2"	\$267.34	6.46	4.37	2.09	1.52	20-33	107.20
Sweat Connection								
TGV-ACC	1/2"	\$71.92	3.39	3.74	1.57	0.14	0.50-3.08	12.10
TGV-BCC	3/4"	\$78.02	3.54	3.74	1.65	0.26	3.80-5.50	17.40
TGV-CCC	1"	\$101.86	4.02	3.78	1.73	0.37	5.50-9.50	30.00
TGV-DCC	1-1/4"	\$157.42	4.72	3.78	1.85	0.60	9.50-14	44.60
TGV-ECC	1-1/2"	\$177.63	5.20	4.25	1.93	0.91	14-20	66.40
TGV-FCC	2"	\$275.53	6.46	4.37	2.09	1.52	20-33	107.20

Terminator GV Flanged 230 WOG



Features

- Accurate and precise flow measurement
- Accurate and precise flow balancing
- Positive shut-off
- "Y" pattern globe style design
- Multi-turn, 360° handwheel with vernier scale and digital readout
- Built in memory stop
- Offsetting pressure/temperature ports

Temperature and Pressure Rating

- 230 WOG
- 14°F -248°F

Material Specifications

Part	Material
Body	Cast Iron
End Connections	ANSI 125 Flanged
Gaskets	EPDM
Seat Seal	PTFE
Handwheel	Polyamide Plastic

Dimensions

Part Number	Size	Price	A	B	Cv	Minimum Flow	Nominal Flow	Maximum Flow
TGV-GFF	2-1/2"	\$682.63	11.42	8.94	108	2.13	33-100	318.30
TGV-HFF	3"	\$1,035.72	12.20	9.5	128	4.19	100-117	374.50
TGV-IFE	4"	\$1,355.38	13.78	10.20	220	6.09	117-200	646.80
TGV-KFF	6"	\$2,451.46	18.90	12.05	493	13.70	320-440	1447.00
TGV-LFF	8"	\$4,996.53	23.60	13.50	821	30.00	450-750	2415
TGV-MFF	10"	\$7,515.16	28.70	16.00	1373	47.00	750-1300	4050
TGV-NFF	12"	\$10,389.57	33.50	19.00	1739	43.00	1300-1600	5115



WARNING: This product can expose you to chemicals including lead, which is known to the State of California to cause cancer, and lead, which is known to the State of California to cause birth defects or other reproductive harm. For more information go to www.P65Warnings.ca.gov.



WARNING: This product can expose you to chemicals including lead, which is known to the State of California to cause cancer, and lead, which is known to the State of California to cause birth defects or other reproductive harm. For more information go to www.P65Warnings.ca.gov.