

Balancing Solutions Technical Specifications

Table of Contents

- Pressure Independent Control Valves 3-6**
- Manual Balancing Valves 7-14**
- Meter Stations 15-17**
- Automatic Balancing Valves 18-21**
- Combination Ball Valves and Strainers 22-31**
- Unions 32**
- Flexible Hoses 33**
- Accessories 34-42**
- GPM Ordering Guide43**
- Pressure Drop Charts 44-49**

LIT-JH-TS 103018

Pressure Independent Control Valve



Pressure Regulating Cartridge • Axial Control Valve • Presetting Ring • 360 WOG



91 Series

Features

- 5-58 PSID operating range
- +/- 5% accuracy up to 15 PSID
- Two pressure / temperature (PT) test ports
- Location tag
- ANSI class IV leakage rate
- 100% leak tested
- Control Valve Stroke: 2.7mm
- Rangeability: 50-100

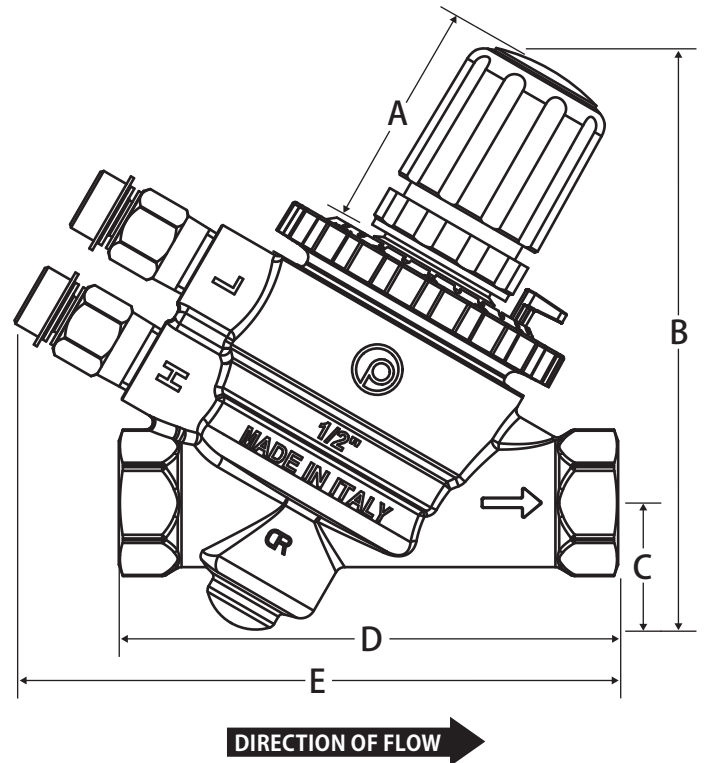
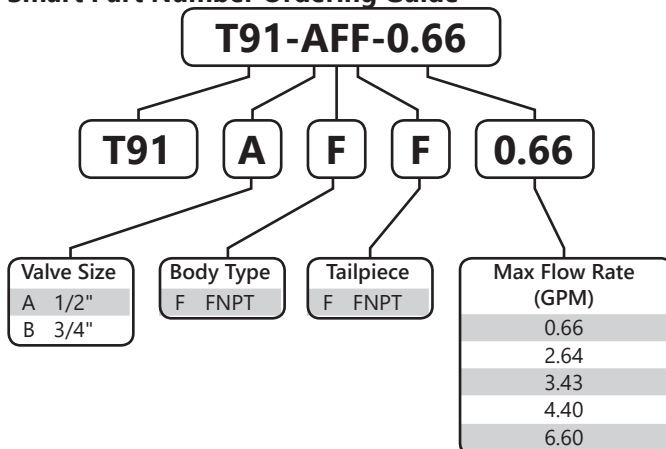
Pressure and Temperature Rating

- 360 WOG
- 15 - 250°F

Accepted Actuator Manufacturers

- Spartan PD
- Siemens
- Honeywell
- Johnson Controls
- Neprionics

Smart Part Number Ordering Guide



Material Specifications

Part	Material
Body	Brass - CW602N
Regulating Cartridge	High Resistance Polymer, EPDM, 303 Stainless Steel
Control Valve	Brass - CW614N, 18/8 Stainless Steel
Presetting Ring	High Resistance Polymer
O-rings	EPDM

Dimensions

Size	A	B	C	D	E
1/2"	1.85	4.53	0.98	3.90	4.72
3/4"	1.85	4.53	0.98	4.25	4.72



WARNING: This product can expose you to chemicals including lead, which is known to the State of California to cause cancer, and lead, which is known to the State of California to cause birth defects or other reproductive harm. For more information go to www.P65Warnings.ca.gov.

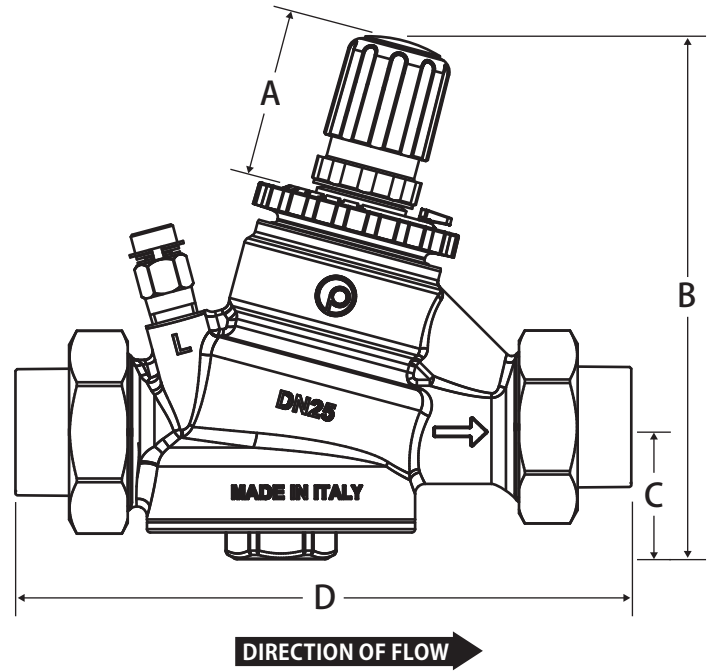
Pressure Independent Control Valve



Pressure Regulating Cartridge • Axial Control Valve • Presetting Ring • Double Union • 360 WOG



93 Series



Features

- 5-58 PSID operating range
- +/- 5% accuracy up to 15 PSID
- Two pressure / temperature (PT) test ports
- Location tag
- ANSI class IV leakage rate
- 100% leak tested
- Control Valve Stroke: 6.0mm
- Rangeability: 100-150

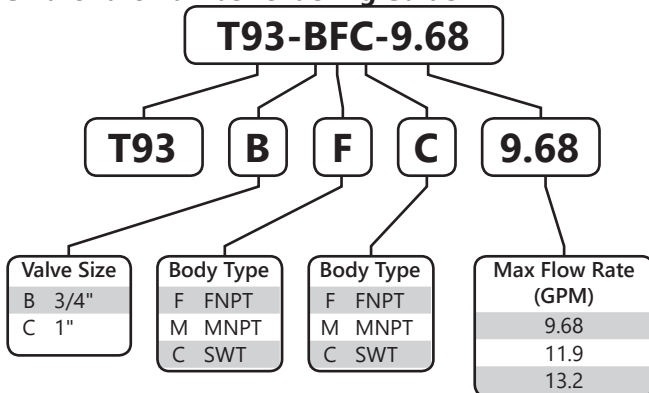
Pressure and Temperature Rating

- 360 WOG
- 15 - 250°F

Accepted Actuator Manufacturers

- Spartan PD
- Siemens
- Honeywell
- Johnson Controls
- Neptronics

Smart Part Number Ordering Guide



Material Specifications

Part	Material
Body	Brass - CW602N
Regulating Cartridge	Brass - CW614N, EPDM, 303 Stainless Steel
Control Valve	Brass - CW614N, 18/8 Stainless Steel
Presetting Ring	High Resistance Polymer
O-rings	EPDM

Dimensions

Size	A	B	C	D
3/4"	1.85	5.98	1.50	5.28
1"	1.85	5.98	1.50	5.28



WARNING: This product can expose you to chemicals including lead, which is known to the State of California to cause cancer, and lead, which is known to the State of California to cause birth defects or other reproductive harm. For more information go to www.P65Warnings.ca.gov.

LT-JHF-TS 103018

Pressure Independent Control Valve



Pressure Regulating Cartridge • Rotary Control Valve • Manual Shutoff • Double Union • 230 WOG



85 Series

Features

- 5-58 PSID operating range
- +/- 5% accuracy up to 15 PSID
- Two pressure / temperature (PT) test ports
- Location tag
- ANSI class IV leakage rate
- 100% leak tested
- Control Valve Stroke: 90°
- Rangeability: >100

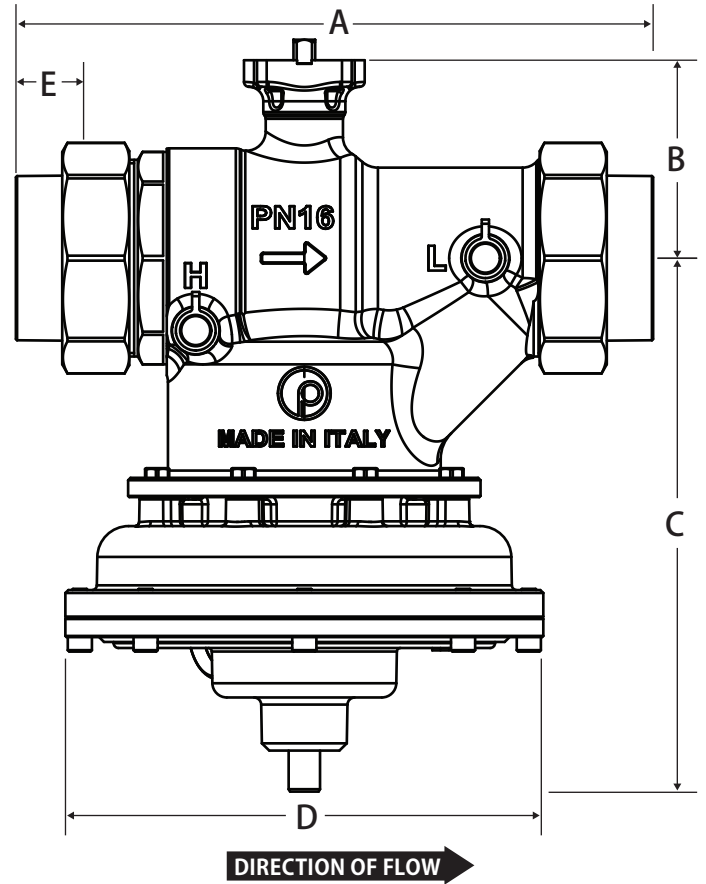
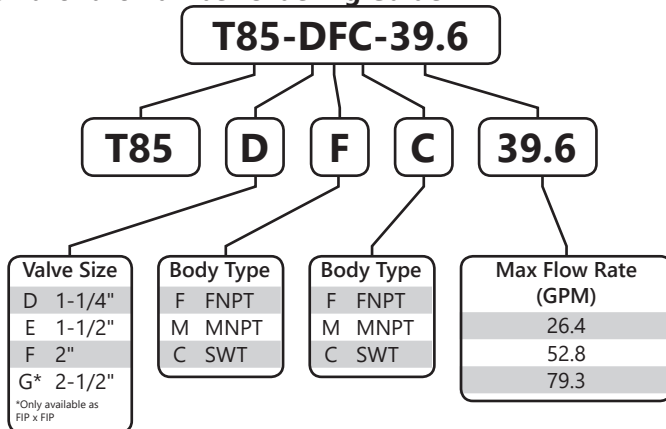
Pressure and Temperature Rating

- 230 WOG
- 15 - 250°F

Accepted Actuator Manufacturers

- HCI
- Johnson Controls

Smart Part Number Ordering Guide



Material Specifications

Part	Material
Body	Ductile Iron
Regulating Device	High Resistance Polymer, EPDM, 303 Stainless Steel
Control Valve	Brass - CW614N, 18/8 Stainless Steel
Stem	Brass - CW602N
O-rings	EPDM
Manual Shut-Off	Brass - CW614N

Dimensions

Size	A	B	C	D	E
1 1/2"	10.12	3.23	8.70	7.80	0.93
2"	10.39	3.23	8.70	7.80	1.10



WARNING: This product can expose you to chemicals including lead, which is known to the State of California to cause cancer, and lead, which is known to the State of California to cause birth defects or other reproductive harm. For more information go to www.P65Warnings.ca.gov.

Pressure Independent Control Valve



Pressure Regulating Cartridge • Multi-Turn Control Valve • Flange Connection • 230 WOG



94F Series

Features

- 5-58 PSID operating range
- +/- 5% accuracy up to 15 PSID
- Two pressure / temperature (PT) test ports
- Location tag
- ANSI class IV leakage rate
- 100% leak tested
- Control Valve Stroke: 15-22mm
- Rangeability: >100
- Flange: ANSI B16.1, Class 125
- Face to Face: ISA-75.08.01-2002, Class 125

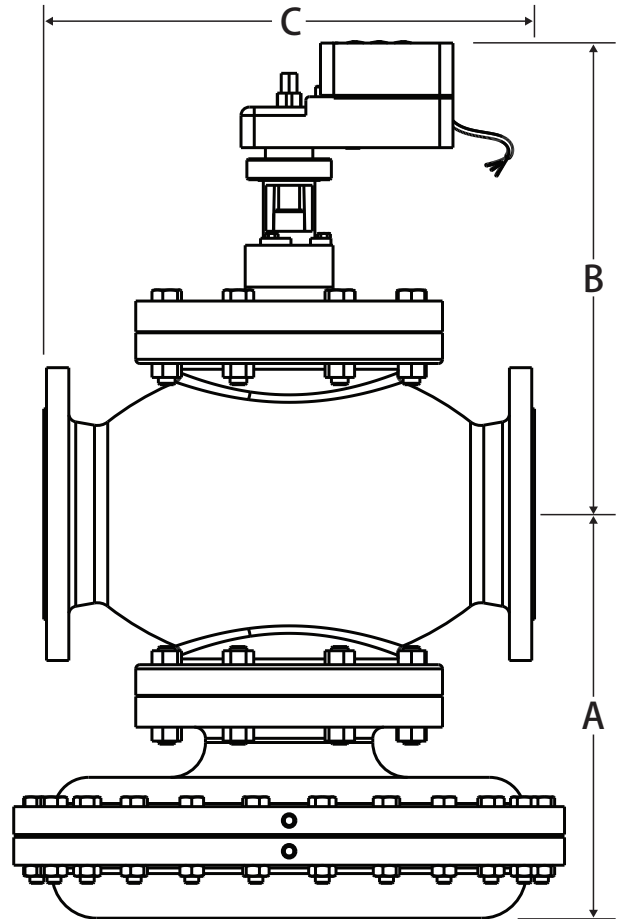
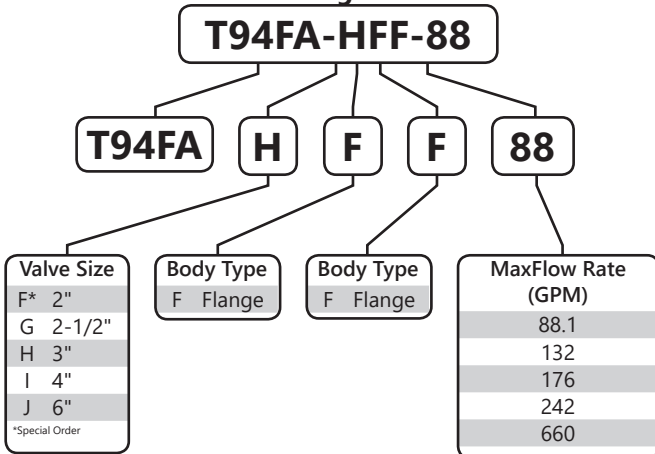
Pressure and Temperature Rating

- 230 WOG
- 15 - 250°F

Accepted Actuator Manufacturers

- HCl

Smart Part Number Ordering Guide



DIRECTION OF FLOW →

Body	Ductile Iron
Regulating Device	Brass - CW602N, EPDM, 303 Stainless Steel
Control Valve	Brass - CW602N, 18/8 Stainless Steel
O-rings	EPDM

2"	8.62	10.51	10.00
2 1/2"	9.21	11.10	10.87
3"	9.41	11.42	11.73
4"	11.22	12.17	13.86
6"	13.78	14.92	17.76

WARNING: This product can expose you to chemicals including lead, which is known to the State of California to cause cancer, and lead, which is known to the State of California to cause birth defects or other reproductive harm. For more information go to www.P65Warnings.ca.gov.

LT-JH-TS 103018

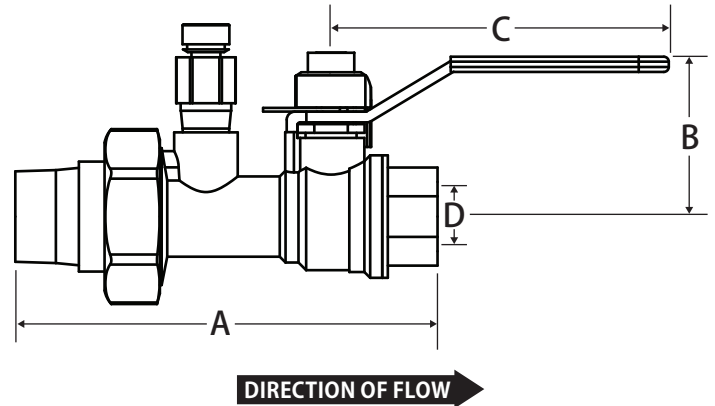
Lead Free Manual Balancing Valve



Fixed Orifice • Isolation Ball Valve • Memory Stop • Union •
400 WOG



Terminator B Lead Free



Features

- NSF 61-8 and NSF 372 Certified
- Patented removable venturi
- +/- 2% Accuracy
- Two pressure / temperature (PT) test ports
- Location tag
- Additional accessory tap
- Triple sealing stem with 2 Viton® o-rings and Teflon® seal
- Blow out proof stem
- 100% leak tested
- Made in Italy
- Leakproof stem - Lifetime warranty
- See end of catalog for pressure drop charts

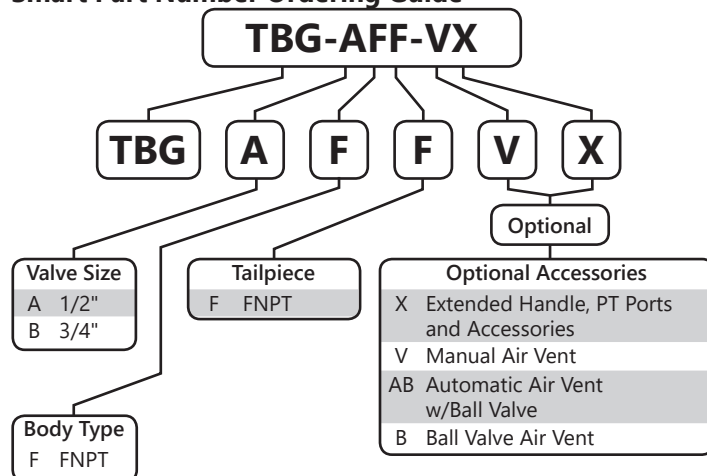
Pressure and Temperature Rating

- 400 WOG
- 300°F Max

Material Specifications

Part	Material
Body	Lead Free Brass - CW510L
End Connection	Lead Free Brass - CW510L
Ball	TEA Coated Brass - CW510L
Seat (2)	Virgin PTFE
Stem	Brass - CW510L
Packing	Virgin PTFE
Stem O-ring (2)	Viton®
Packing Gland	Brass - CW614N
Handle	Steel - Geomet® Plated
Handle Nut	Steel - Geomet® Plated
Metering Plate	Aluminum
Memory Stop	Brass - CW617N
Memory Stop Screw	Steel - Geomet® Plated
Union O-ring	Viton®
Tail Piece	Lead Free Brass - CW510L
Union Nut	Brass - CW617N
Venturi	Lead Free Brass - CW510L
Venturi O-ring	Viton®

Smart Part Number Ordering Guide



Dimensions

Size	A	B	C	D
1/2"	-	1.57	2.95	0.59
3/4"	-	1.57	2.95	0.59



WARNING: This product can expose you to chemicals including lead, which is known to the State of California to cause cancer, and lead, which is known to the State of California to cause birth defects or other reproductive harm. For more information go to www.P65Warnings.ca.gov.

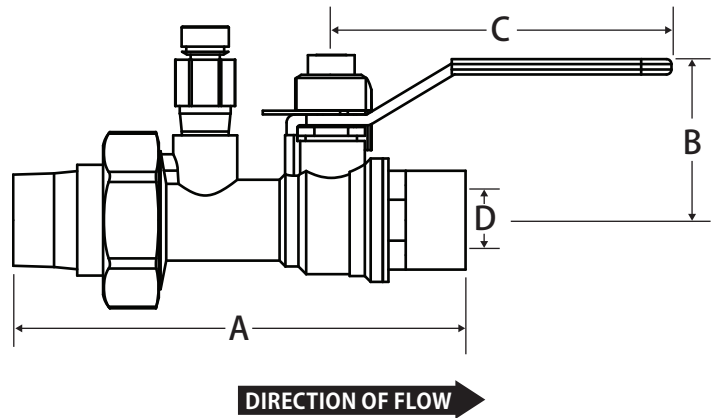
Manual Balancing Valve



Fixed Orifice • Isolation Ball Valve • Memory Stop • Union •
400 WOG



Terminator B



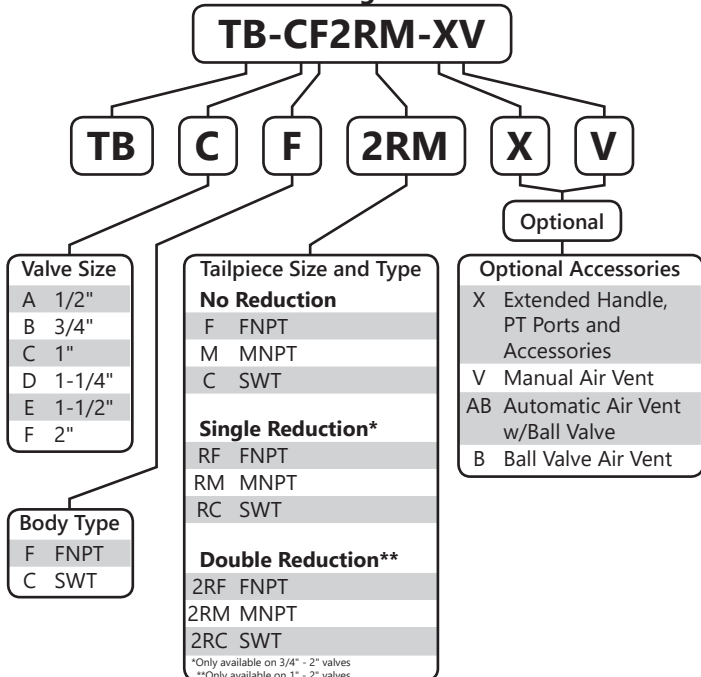
Features

- Patented removable venturi
- +/- 2% Accuracy
- Two pressure / temperature (PT) test ports
- Location tag
- Additional accessory tap
- Triple sealing stem with 2 Viton® o-rings and Teflon® seal
- Blow out proof stem
- 100% leak tested
- Made in Italy
- Leakproof stem - Lifetime warranty
- See end of catalog for pressure drop charts

Pressure and Temperature Rating

- 400 WOG
- 300°F Max

Smart Part Number Ordering Guide



Material Specifications

Part	Material
Body	Brass - CW617N
End Connection	Brass - CW617N
Ball	Chrome Plated Brass -CW617N
Seat (2)	Virgin PTFE
Stem	Brass - CW614N
Packing	Virgin PTFE
Stem O-ring (2)	Viton®
Packing Gland	Brass - CW614N
Handle	Steel - Geomet® Plated
Handle Nut	Steel - Geomet® Plated
Metering Plate	Aluminum
Memory Stop	Brass - CW617N
Memory Stop Screw	Steel - Geomet® Plated
Union O-ring	Viton®
Tail Piece	Brass - CW617N
Union Nut	Brass - CW617N
Venturi	Brass - CW614N
Venturi O-ring	Viton®

Dimensions

Size	A*	B	C	D
1/2"	4.56	1.57	2.95	0.59
3/4"	4.88	1.57	2.95	0.59
1"	5.65	1.93	3.74	0.79
1-1/4"	7.00	2.44	4.72	0.98
1-1/2"	7.81	2.64	4.72	1.26
2"	9.19	3.29	5.91	1.58

*Length is for a SWT x MNPT valve, additional dimensions available upon request



WARNING: This product can expose you to chemicals including lead, which is known to the State of California to cause cancer, and lead, which is known to the State of California to cause birth defects or other reproductive harm. For more information go to www.P65Warnings.ca.gov.

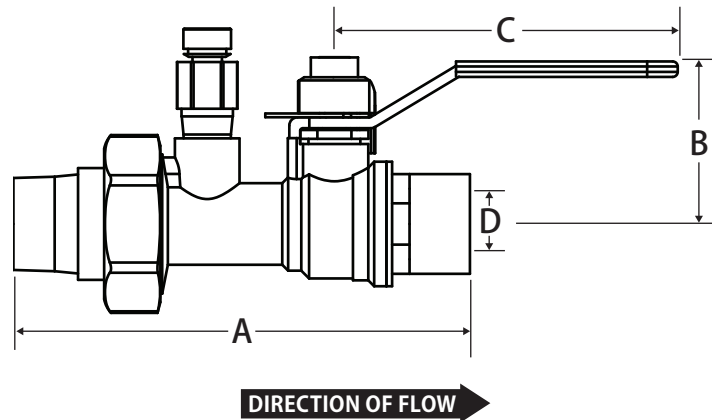
LT-JH-TS 103018

Manual Balancing Valve

Fixed Orifice • Isolation Ball Valve • Memory Stop • Union •
400 WOG • with Stainless Steel Trim



Terminator B SS



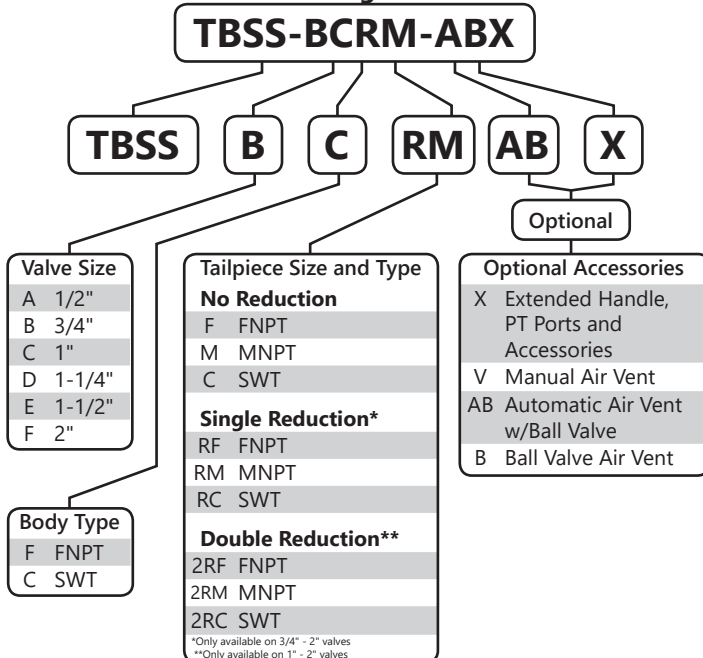
Features

- Patented removable venturi
- +/- 2% Accuracy
- Two pressure / temperature (PT) test ports
- Location tag
- Additional accessory tap
- Triple sealing stem with 2 Viton® o-rings and Teflon® seal
- Blow out proof stem
- 100% leak tested
- Made in Italy
- Leakproof stem - Lifetime warranty
- See end of catalog for pressure drop charts

Pressure and Temperature Rating

- 400 WOG
- 300°F Max

Smart Part Number Ordering Guide



Material Specifications

Part	Material
Body	Brass - CW617N
End Connection	Brass - CW617N
Ball	316 Stainless Steel
Seat (2)	Virgin PTFE
Stem	316 Stainless Steel
Packing	Virgin PTFE
Stem O-ring (2)	Viton®
Packing Gland	Brass - CW614N
Handle	Steel - Geomet® Plated
Handle Nut	Steel - Geomet® Plated
Metering Plate	Aluminum
Memory Stop	Brass - CW617N
Memory Stop Screw	Steel - Geomet® Plated
Union O-ring	Viton®
Tail Piece	Brass - CW617N
Union Nut	Brass - CW617N
Venturi	Brass - CW614N
Venturi O-ring	Viton®

Dimensions

Size	A*	B	C	D
1/2"	4.56	1.57	2.95	0.59
3/4"	4.88	1.57	2.95	0.59
1"	5.65	1.93	3.74	0.79
1-1/4"	7.00	2.44	4.72	0.98
1-1/2"	7.81	2.64	4.72	1.26
2"	9.19	3.29	5.91	1.58

*Length is for a SWT x MNPT valve, additional dimensions available upon request



WARNING: This product can expose you to chemicals including lead, which is known to the State of California to cause cancer, and lead, which is known to the State of California to cause birth defects or other reproductive harm. For more information go to www.P65Warnings.ca.gov.

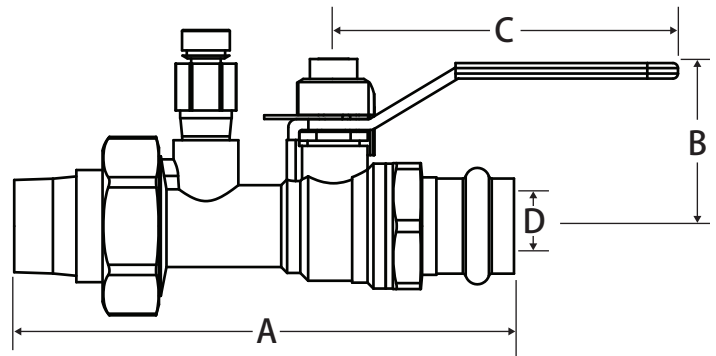
Manual Balancing Valve



Fixed Orifice • Isolation Ball Valve • Integrated Memory Stop • Union • Press Body Connection • 250 WOG



Terminator B Press



DIRECTION OF FLOW →

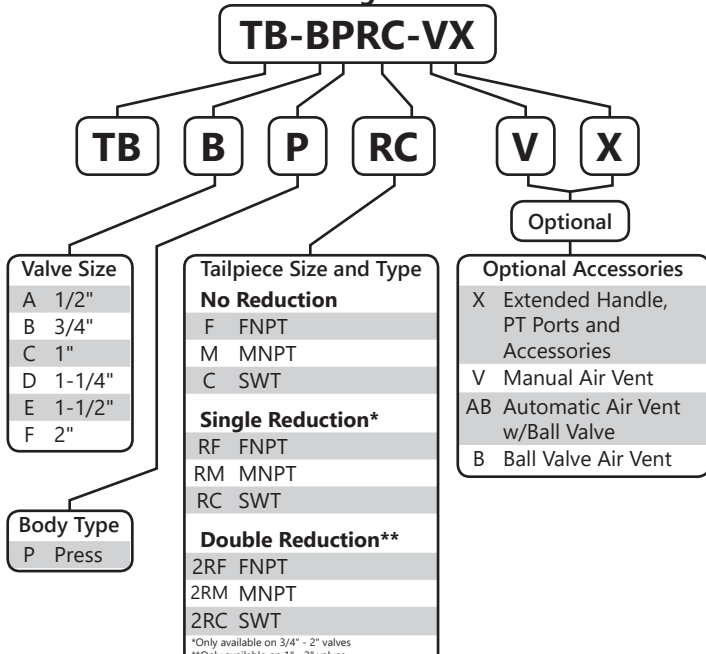
Features

- Patented removable venturi
- +/- 2% Accuracy
- Two pressure / temperature (PT) test ports
- Location tag
- Additional accessory tap
- Triple sealing stem with 2 Viton® o-rings and Teflon® seal
- Blow out proof stem
- 100% leak tested
- Made in Italy
- Leakproof stem - Lifetime warranty
- See end of catalog for pressure drop charts

Pressure and Temperature Rating

- 250 WOG
- 300°F Max

Smart Part Number Ordering Guide



Material Specifications

Part	Material
Body	Brass - CW617N
End Connection	Brass - CW617N
Press O-ring	EPDM
Ball	Chrome Plated Brass -CW617N
Seat (2)	Virgin PTFE
Stem	Brass - CW614N
Packing	Virgin PTFE
Stem O-ring (2)	Viton®
Packing Gland	Brass - CW614N
Handle	Steel - Geomet® Plated
Handle Nut	Steel - Geomet® Plated
Metering Plate	Aluminum
Memory Stop	Brass - CW617N
Memory Stop Screw	Steel - Geomet® Plated
Union O-ring	Viton®
Tail Piece	Brass - CW617N
Union Nut	Brass - CW617N
Venturi	Brass - CW614N
Venturi O-ring	Viton®

Dimensions

Size	A*	B	C	D
1/2"	5.17	1.57	2.95	0.59
3/4"	5.35	1.57	2.95	0.59
1"	—**	1.93	3.74	0.79
1-1/4"	—**	2.44	4.72	0.98
1-1/2"	—**	2.64	4.72	1.26
2"	—**	3.29	5.91	1.58

*Length is for a Press x MNPT valve, additional dimensions available upon request
**1" - 2" is FNPT body with MNPT x Press adapter

WARNING: This product can expose you to chemicals including lead, which is known to the State of California to cause cancer, and lead, which is known to the State of California to cause birth defects or other reproductive harm. For more information go to www.P65Warnings.ca.gov.

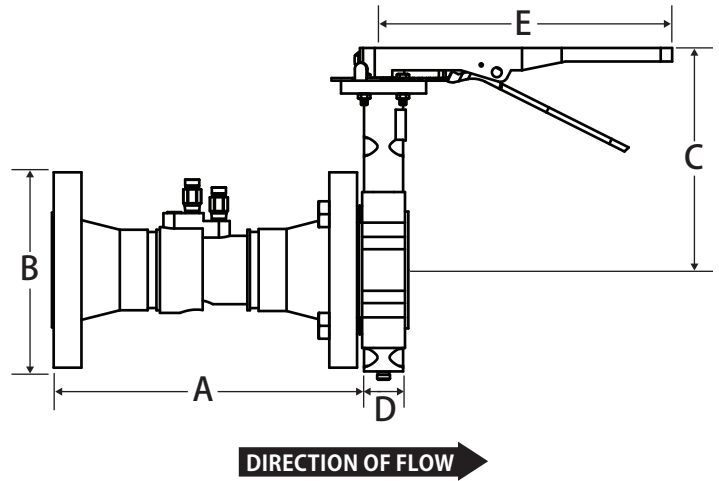
LT-JH-TS 103018

Manual Balancing Valve

Fixed Orifice • Isolation Butterfly Valve • Lug x Flange Connection • Class 150



Terminator B Lug x Flange



Features

- +/- 1% Accuracy
- Two pressure / temperature (PT) test ports
- Location tag
- Additional accessory tap
- Ten-position lockable lever handle
- Class 150 Flange
- 100% leak tested
- 5 straight pipe diameters are required upstream of balance valve
- 2-1/2 straight pipe diameters are required downstream of balance valve
- See end of catalog for pressure drop charts

Pressure and Temperature Rating

- 200 WOG
- 225°F Max

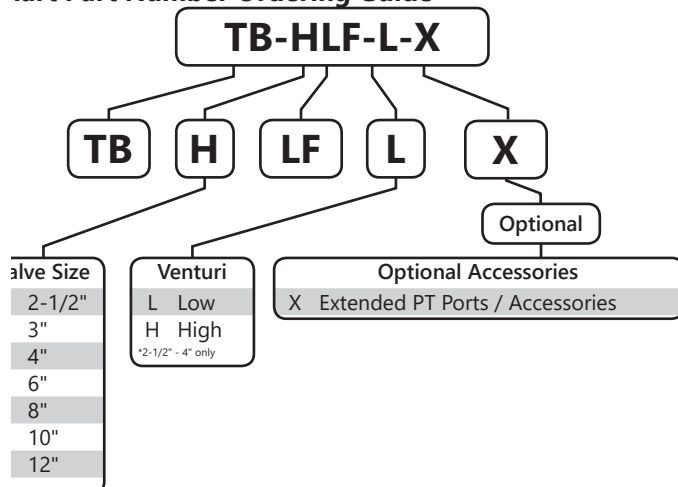
Material Specifications

Part	Material
Venturi Body	Carbon Steel - ASTM-A126
Flange (2)	Carbon Steel - ASTM-A126
Butterfly Valve	(See Butterfly Valve Spec Sheet)

Dimensions

Size	A	B	C	D	E
2-1/2"	10.75	7.00	7.6	1.76	10.64
3"	11.13	7.50	8.15	1.78	10.64
4"	12.25	9.00	8.39	2.05	10.64
6"	14.75	11.00	9.13	2.2	10.64
8"	16.75	13.50	10.16	2.39	14.18
10"	20.37	16.00	11.85	2.58	19.7
12"	21.5	19.00	13.11	3.03	19.7

Part Number Ordering Guide



WARNING: This product can expose you to chemicals including lead, which is known to the State of California to cause cancer, and lead, which is known to the State of California to cause birth defects or other reproductive harm. For more information go to www.P65Warnings.ca.gov.

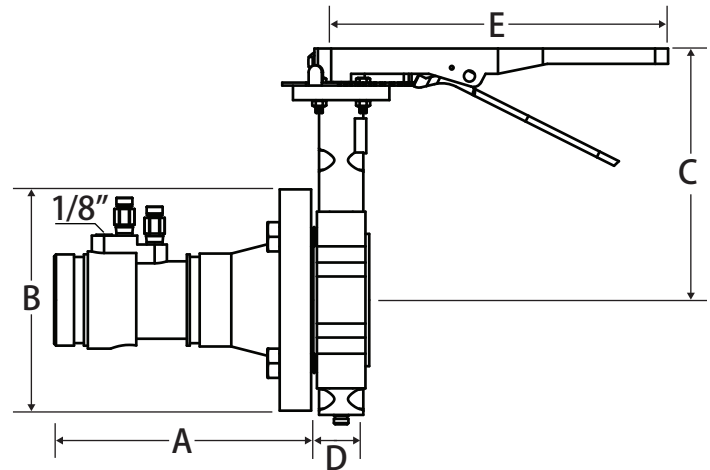
Manual Balancing Valve



Fixed Orifice • Isolation Butterfly Valve • Lug x Groove Connection
• Class 150



Terminator B Lug x Groove



DIRECTION OF FLOW →

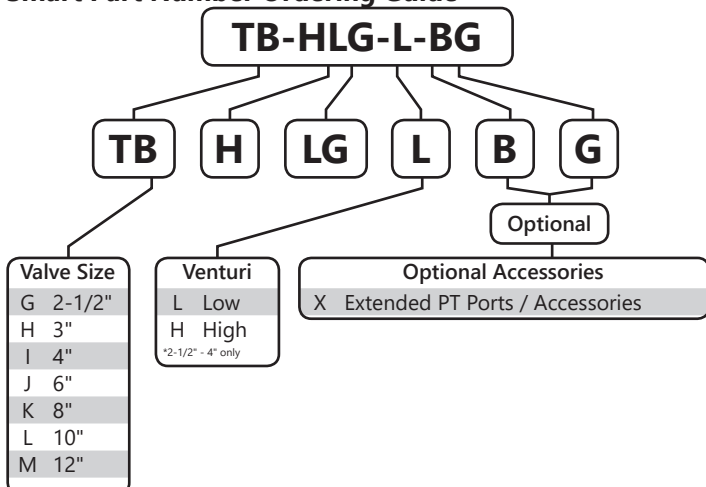
Features

- +/- 1% Accuracy
- Two pressure / temperature (PT) test ports
- Location tag
- Additional accessory tap
- Ten-position lockable lever handle
- Class 150 Flange
- 100% leak tested
- 5 straight pipe diameters are required upstream of balance valve
- 2-1/2 straight pipe diameters are required downstream of balance valve
- See end of catalog for pressure drop charts

Pressure and Temperature Rating

- 200 WOG
- 225°F Max

Smart Part Number Ordering Guide



Material Specifications

Part	Material
Venturi Body	Carbon Steel - ASTM 126
Flange	Carbon Steel - ASTM 126
Butterfly Valve	(See Butterfly Valve Spec Sheet)

Dimensions

Size	A	B	C	D	E
2-1/2"	8.00	7.00	7.6	1.76	10.64
3"	8.28	7.50	8.15	1.78	10.64
4"	9.22	9.00	8.39	2.05	10.64
6"	11.25	11.00	9.13	2.2	10.64
8"	12.6	13.50	10.16	2.39	14.18
10"	16.3	16.00	11.85	2.58	19.70
12"	17.00	19.00	13.11	3.03	19.70



WARNING: This product can expose you to chemicals including lead, which is known to the State of California to cause cancer, and lead, which is known to the State of California to cause birth defects or other reproductive harm. For more information go to www.P65Warnings.ca.gov.

LT-JHF-TS 103018

Manual Balancing Valve

Fixed Orifice • Globe Valve • Memory Stop • 360 WOG



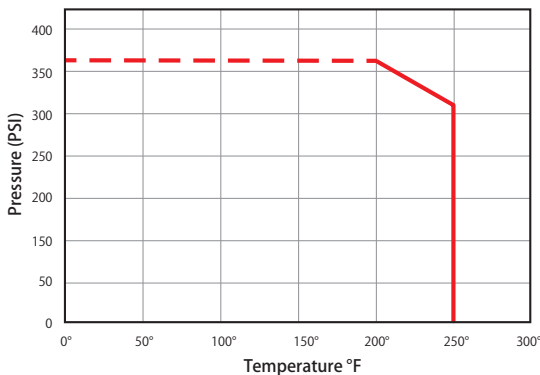
Terminator G

Features

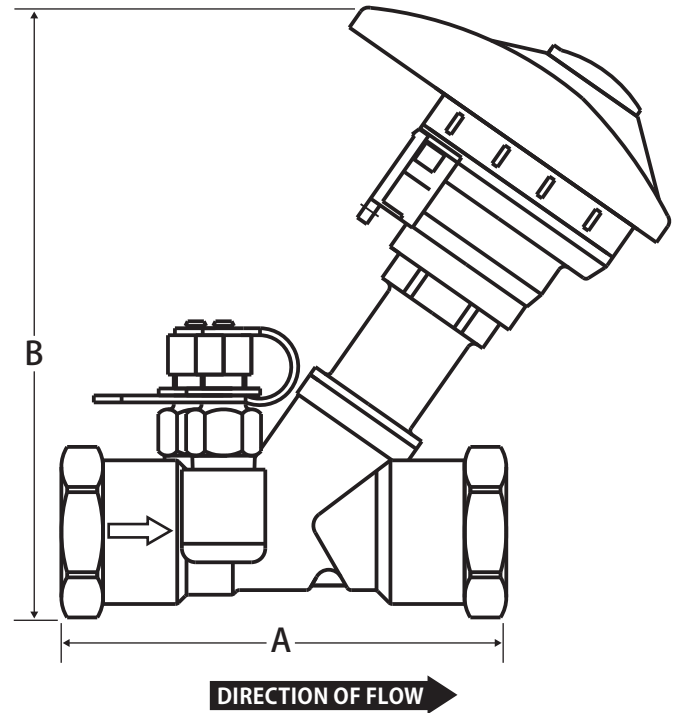
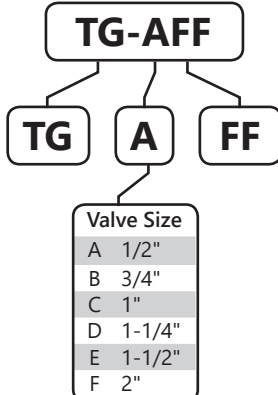
- Integral metering orifice plate
- Characterized equal percent throttling disc
- ±5% flow measurement accuracy
- Microset hand wheel
- Memory stop handle setting
- Pressure and temperature ports
- NPT threads
- Dezincification resistant
- Conforms to BS 7350
- See end of catalog for pressure drop charts

Temperature Rating

- 360 WOG



Smart Part Number Ordering Guide



Body	Bronze - C83600
Bonnet (1/2" - 1-1/4")	Brass - C35330
(1-1/2" - 2")	Bronze - C83600
Stem	Brass - C35330
Disc (1/2" - 3/4")	Brass - C35330
(1" - 2")	Brass + PTFE - C35330
Orifice Insert	Brass - C35330
Hand Wheel	Plastic

1/2"	3.43	4.45	1.99	1 - 4
3/4"	3.78	4.49	3.43	2 - 10
1"	3.94	5.31	5.49	4 - 20
1-1/4"	4.49	5.35	11.85	8 - 35
1-1/2"	4.92	5.94	19.46	12 - 50
2"	5.75	5.98	31.51	20 - 100

Manual Balancing Valve

Fixed Orifice • Globe Valve • Flanged • 230 WOG



Terminator G

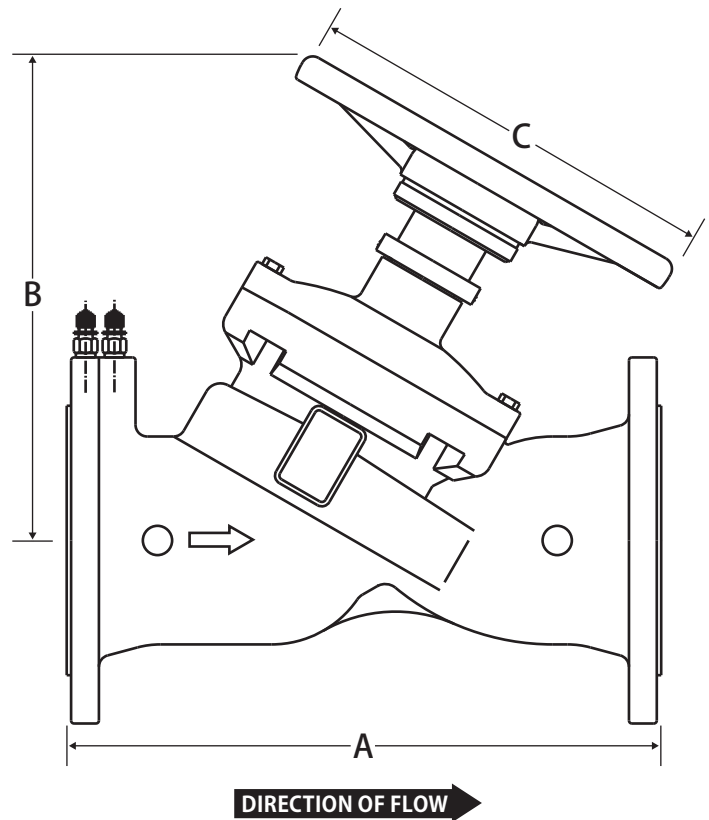
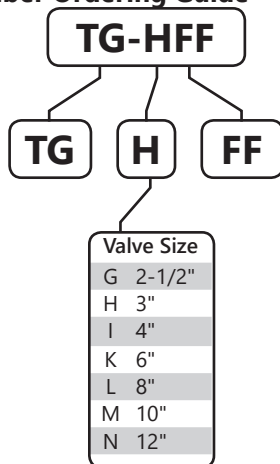
Features

- Integral metering orifice plate
- Memory stop handle setting
- ±5% flow measurement accuracy
- ANSI Class 150
- Pressure and temperature ports
- Face to face: DIN 3202-1/F1
- EN-558-1 Series 1
- Flange: ANSI B16.5
- Conforms to BS 7350
- See end of catalog for pressure drop charts

Temperature Rating

- 15-250°F
- 230 WOG

Smart Part Number Ordering Guide



Material Specifications

Part	Material
Body	Ductile Iron - ASTM A536
Bonnet	Ductile Iron - ASTM A536
Stem	410 Stainless Steel
Disc	EPDM Coated Ductile Iron - ASTM A536
Gland (2-1/2" - 6")	Brass - C37700
(8" - 12")	Ductile Iron - ASTM A536
Stem Nut	Brass - C37700
Hand Wheel	Ductile Iron - ASTM A536
Test Valve	Brass - C35330
Orifice Insert	Brass - C37700
Packing	Graphite

Dimensions

Size	A	B	C	Cv	GPM
2-1/2"	11.42	10.43	7.87	120.22	45 - 210
3"	12.20	10.63	7.87	134.10	50 - 240
4"	13.78	12.20	9.45	246.23	100 - 450
6"	18.90	13.39	11.42	550.26	200 - 1100
8"	23.62	21.14	13.78	887.81	350 - 1500
10"	28.74	22.44	16.54	1332.87	500 - 2500
12"	33.46	27.17	16.54	2014.91	800 - 3500



WARNING: This product can expose you to chemicals including lead, which is known to the State of California to cause cancer, and lead, which is known to the State of California to cause birth defects or other reproductive harm. For more information go to www.P65Warnings.ca.gov.

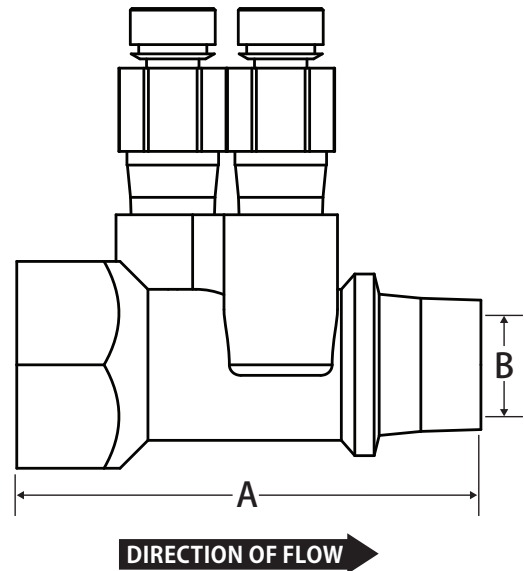
LT-HF-TS 103018

Metering Station

Fixed Orifice • 400 WOG



Terminator MS



Features

- Removable venturi
- +/- 2% Accuracy
- Two pressure / temperature (PT) test ports
- Location tag
- 100% leak tested
- Made in Italy
- See end of catalog for pressure drop charts

Pressure and Temperature Rating

- 400 WOG
- 300°F Max

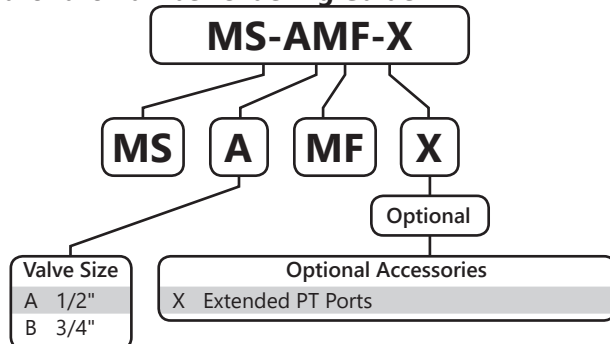
Material Specifications

Part	Material
Body	Brass - CW602N
Venturi	Brass - CW614N
Venturi O-ring	Viton®

Dimensions

Size	A	B
1/2"	2.77	0.59
3/4"	2.77	0.59

Smart Part Number Ordering Guide



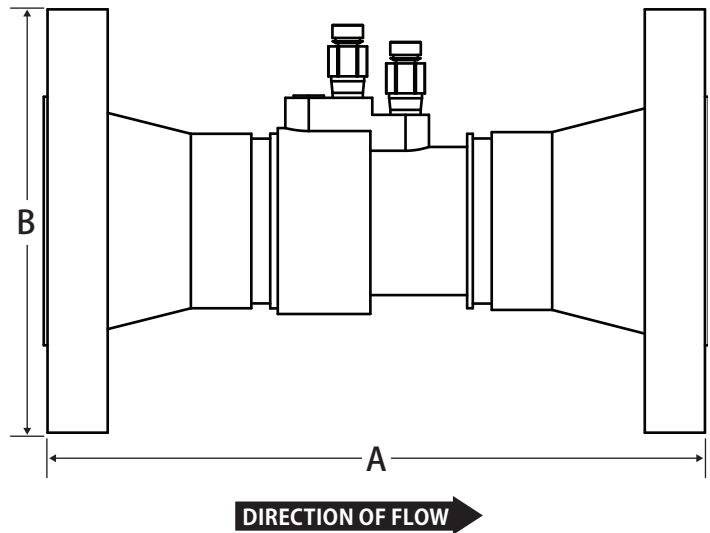
WARNING: This product can expose you to chemicals including lead, which is known to the State of California to cause cancer, and lead, which is known to the State of California to cause birth defects or other reproductive harm. For more information go to www.P65Warnings.ca.gov.

Metering Station

Fixed Orifice • Flange Connection • Class 150



Terminator MS Flange x Flange



Features

- +/- 1% Accuracy
- Two pressure / temperature (PT) test ports
- Location tag
- Additional accessory tap
- Class 150 Flange
- 100% leak tested
- 5 straight pipe diameters are required upstream of metering station
- 2-1/2 straight pipe diameters are required downstream of metering station
- See end of catalog for pressure drop chart

Pressure and Temperature Rating

- 200 WOG
- 225°F Max

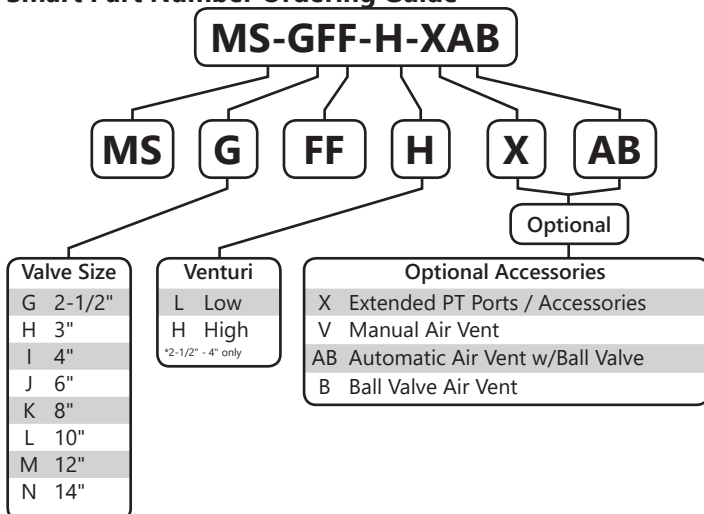
Material Specifications

Part	Material
Venturi Body	Carbon Steel - ASTM 126
Flange (2)	Carbon Steel - ASTM 126

Dimensions

Size	A	B
2-1/2"	10.9	7.0
3"	11.3	7.5
4"	12.5	9.0
6"	15.0	11.0
8"	16.9	13.5
10"	20.6	16.0
12"	26.3	19.0

Smart Part Number Ordering Guide



WARNING: This product can expose you to chemicals including lead, which is known to the State of California to cause cancer, and lead, which is known to the State of California to cause birth defects or other reproductive harm. For more information go to www.P65Warnings.ca.gov.

LIT-JH-TS 103018

Metering Station

Fixed Orifice • Flange x Groove Connection • Class 150



Terminator MS Flange x Groove

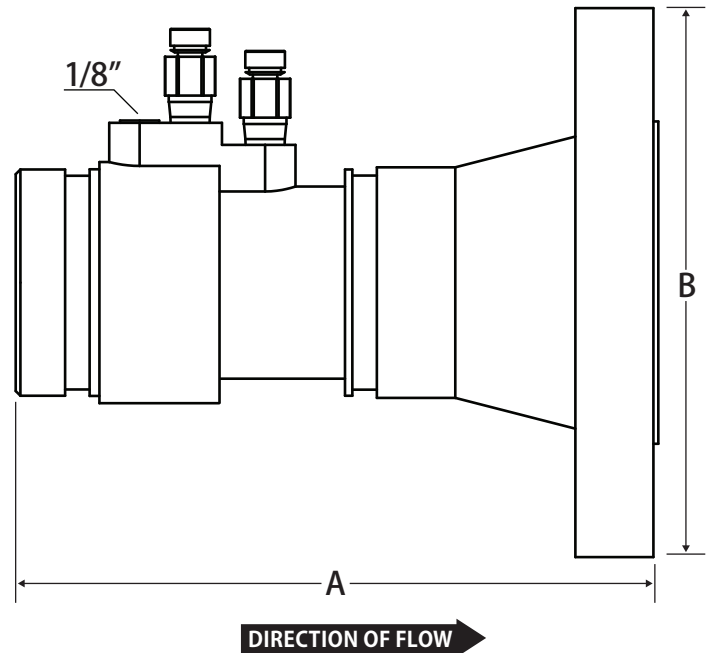
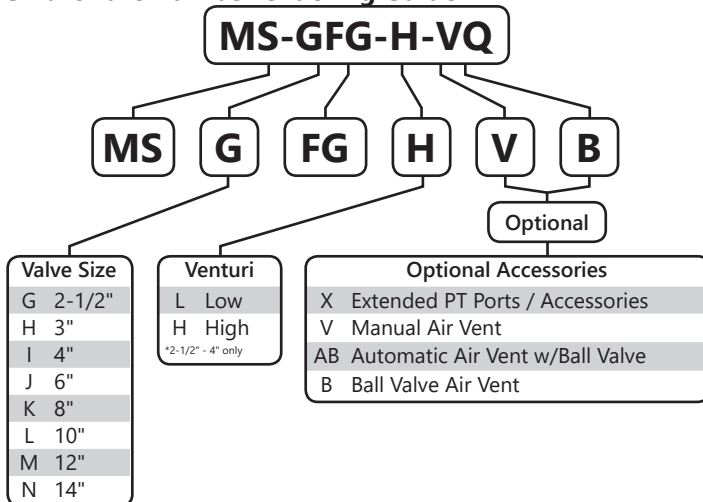
Features

- +/- 1% Accuracy
- Two pressure / temperature (PT) test ports
- Location tag
- Additional accessory tap
- Class 150 Flange
- 100% leak tested
- 5 straight pipe diameters are required upstream of metering station
- 2-1/2 straight pipe diameters are required downstream of metering station
- See end of catalog for pressure drop charts

Pressure and Temperature Rating

- 200 WOG
- 225°F Max

Smart Part Number Ordering Guide



Material Specifications

Part	Material
Venturi Body	Carbon Steel - ASTM 126
Flange	Carbon Steel - ASTM 126

Dimensions

Size	A	B
2-1/2"	10.2	7.0
3"	10.5	7.5
4"	11.5	9.0
6"	13.5	11.0
8"	15.9	13.5
10"	20.6	16.0
12"	25.8	19.0

WARNING: This product can expose you to chemicals including lead, which is known to the State of California to cause cancer, and lead, which is known to the State of California to cause birth defects or other reproductive harm. For more information go to www.P65Warnings.ca.gov.

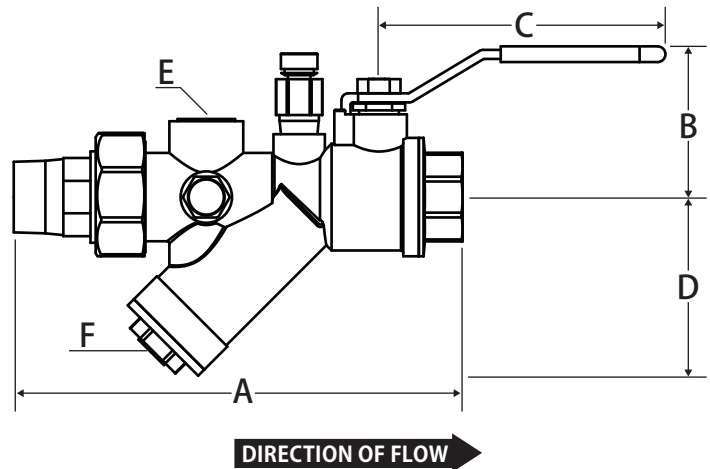
Automatic Balancing Valve



Automatic Flow Limiter • Isolation Ball Valve • Union • 600 WOG



Terminator A



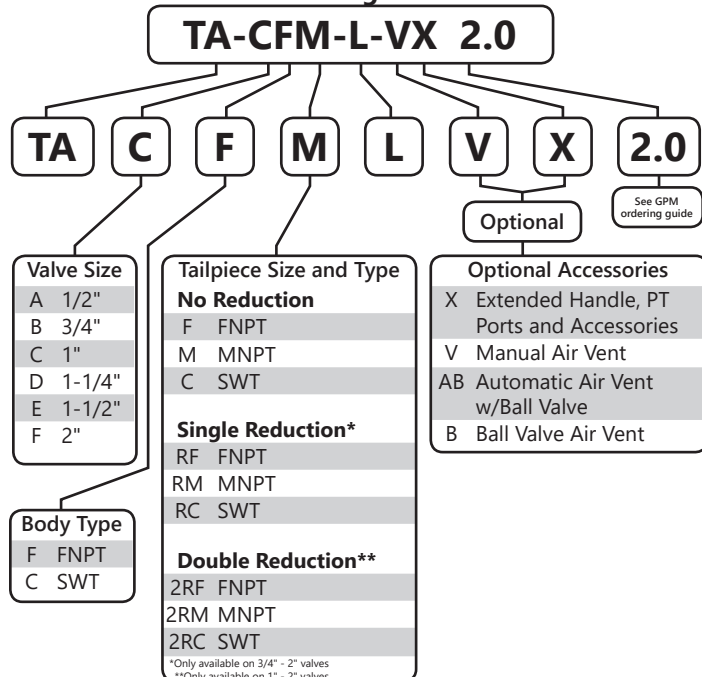
Features

- +/- 5% Accuracy
- Two pressure / temperature (PT) test ports
- Location tag
- Two additional accessory tap
- Triple sealing stem with 2 Viton® o-rings and Teflon® seal
- Blow out proof stem
- 100% leak tested
- See end of catalog for GPM ordering guide

Pressure and Temperature Rating

- 600 WOG
- 325°F Max

Smart Part Number Ordering Guide



Material Specifications

Part	Material
Body	Brass -CW617N
End Connection	Brass -CW617N
Ball	Chrome Plated Brass -CW617N
Seat (2)	PTFE
Stem	Brass -CW614N
Packing	PTFE
Stem O-ring (2)	Viton®
Packing Gland	Brass -CW617N
Handle	Steel - Zinc Plated
Handle Nut	Brass -CW614N
Service Cap	Brass -CW617N
Service Cap O-ring	Viton®
Union Gasket	EPDM
Tail Piece	Brass -CW617N
Union Nut	Brass -CW617N
Balancing Cartridge	Stainless steel, EPDM
Cartridge Retaining Spring	Stainless Steel

Dimensions

Size	A*	B	C	D	E	F
1/2"	5.54	1.70	3.40	1.60	0.50	0.25
3/4"	6.38	1.80	3.40	2.40	0.50	0.25
1"	6.81	1.80	3.40	2.40	0.50	0.25
1-1/4"	8.88	2.50	4.40	3.50	0.75	0.25
1-1/2"	9.13	2.50	4.40	3.50	0.75	0.25
2"	11.38	3.50	5.50	4.50	0.75	0.50

*Length is for a SWT x MNPT valve, additional dimensions available upon request

WARNING: This product can expose you to chemicals including lead, which is known to the State of California to cause cancer, and lead, which is known to the State of California to cause birth defects or other reproductive harm. For more information go to www.P65Warnings.ca.gov.

LT-JHF-TS 103018

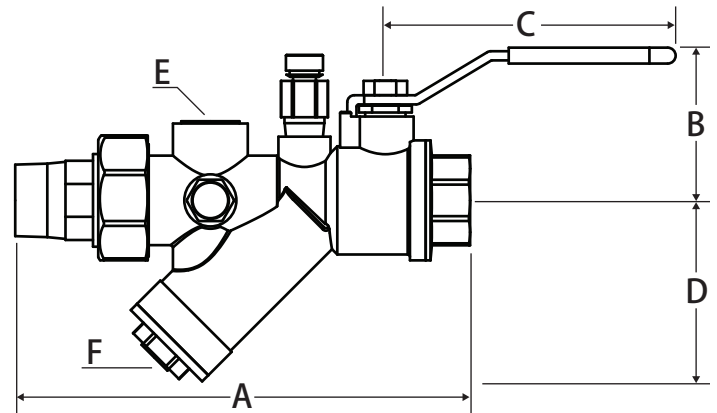
Automatic Balancing Valve



Automatic Flow Limiter • Isolation Ball Valve • Union • 600 WOG • with Stainless Steel Trim



Terminator A SS



DIRECTION OF FLOW →

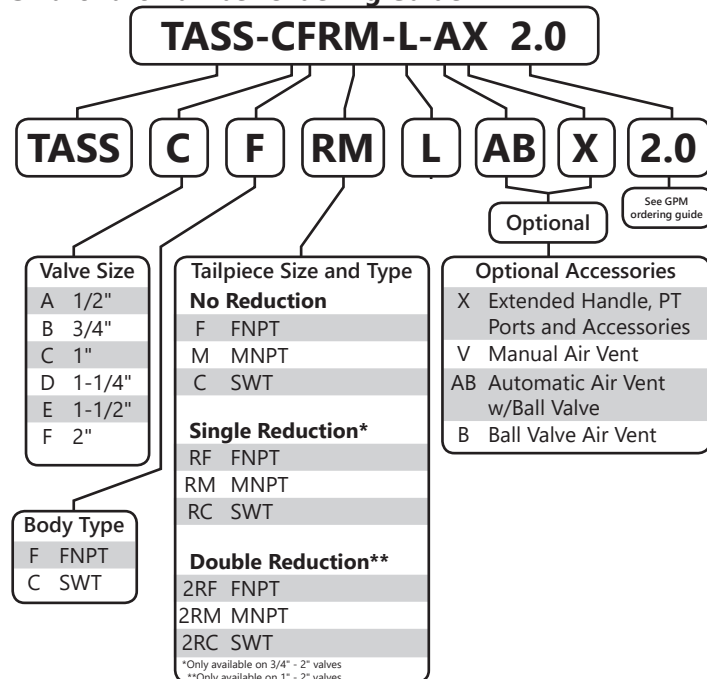
Features

- 2-50 PSID operating range
- +/- 5% Accuracy
- Two pressure / temperature (PT) test ports
- Location tag
- Two additional accessory tap
- Triple sealing stem with 2 Viton® o-rings and Teflon® seal
- Blow out proof stem
- 100% leak tested
- See end of catalog for GPM ordering guide

Pressure and Temperature Rating

- 600 WOG
- 325°F Max

Smart Part Number Ordering Guide



Material Specifications

Part	Material
Body	Brass - CW617N
End Connection	Brass -CW617N
Ball	316 Stainless Steel
Seat (2)	PTFE
Stem	316 Stainless Steel
Packing	PTFE
Stem O-ring (2)	Viton®
Packing Gland	Brass -CW614N
Handle	Steel - Zinc Plated
Handle Nut	Brass -CW614N
Service Cap	Brass -CW617N
Service Cap O-ring	Viton®
Union Gasket	EPDM
Tail Piece	Brass - CW617N
Union Nut	Brass - CW617N
Balancing Cartridge	Brass, Stainless steel, EPDM
Cartridge Retaining Spring	Stainless Steel

Dimensions

Size	A*	B	C	D	E	F
1/2"	5.54	1.70	3.40	1.60	0.50	0.25
3/4"	6.38	1.80	3.40	2.40	0.50	0.25
1"	6.81	1.80	3.40	2.40	0.50	0.25
1-1/4"	8.88	2.50	4.40	3.50	0.75	0.25
1-1/2"	9.13	2.50	4.40	3.50	0.75	0.25
2"	11.38	3.50	5.50	4.50	0.75	0.25

*Length is for a SWT x MNPT valve, additional dimensions available upon request

WARNING: This product can expose you to chemicals including lead, which is known to the State of California to cause cancer, and lead, which is known to the State of California to cause birth defects or other reproductive harm. For more information go to www.P65Warnings.ca.gov.

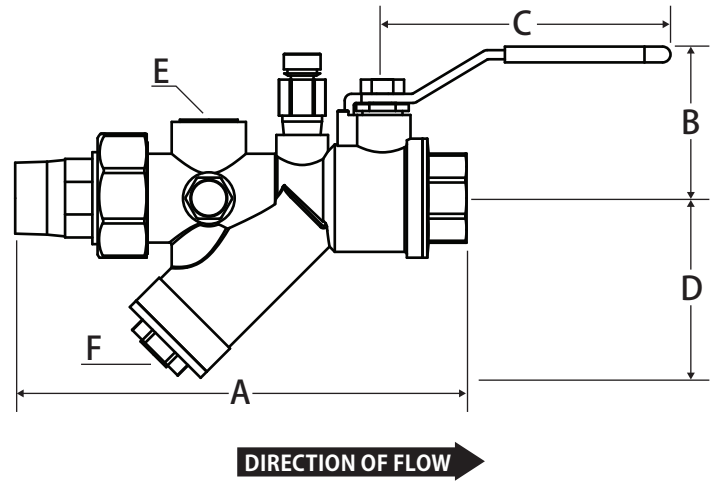
Automatic Balancing Valve



Automatic Flow Limiter • Isolation Ball Valve • Union • Press Body Connection • 250 WOG



Terminator A Press



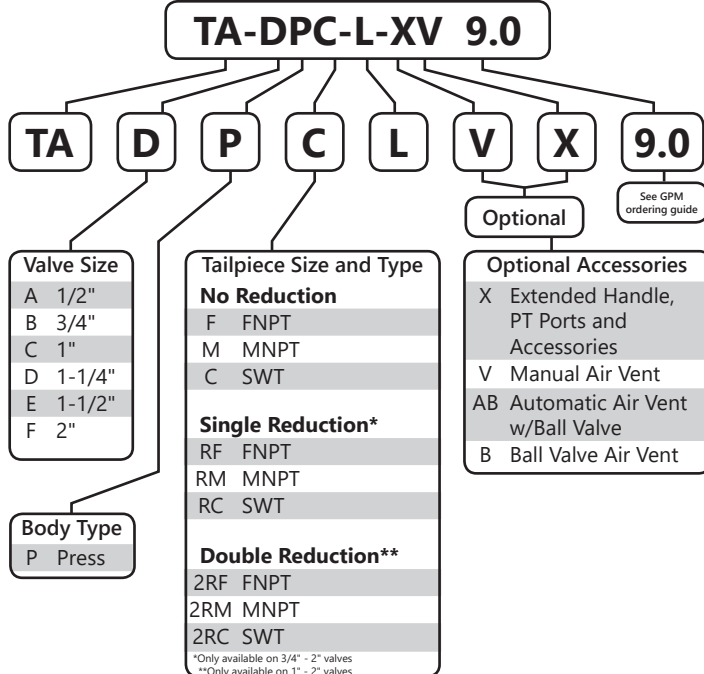
Features

- 2-50 PSID operating range
- +/- 5% Accuracy
- Two pressure / temperature (PT) test ports
- Location tag
- Two additional accessory tap
- Triple sealing stem with 2 Viton® o-rings and Teflon® seal
- Blow out proof stem
- 100% leak tested
- See end of catalog for GPM ordering guide

Pressure and Temperature Rating

- 250 WOG
- 325°F Max

Smart Part Number Ordering Guide



Material Specifications

Part	Material
Body	Brass -CW617N
End Connection	Brass -CW617N
Press O-ring	EPDM
Ball	Chrome Plated Brass -CW617N
Seat (2)	PTFE
Stem	Brass -CW617N
Packing	PTFE
Stem O-ring (2)	Viton®
Packing Gland	Brass -CW614N
Handle	Steel - Zinc Plated
Handle Nut	Brass -CW614N
Service Cap	Brass -CW614N
Service Cap O-ring	Viton®
Union Gasket	EPDM
Tail Piece	Brass -CW617N
Union Nut	Brass -CW617N
Balancing Cartridge	Brass, Stainless steel, EPDM
Cartridge Retaining Spring	Stainless Steel

Dimensions

Size	A*	B	C	D	E	F
1/2"	5.92	1.70	3.40	1.60	0.50	0.25
3/4"	6.94	1.80	3.40	2.40	0.50	0.25
1"	-**	1.80	3.40	2.40	0.50	0.25
1-1/4"	-**	2.50	4.40	3.50	0.75	0.25
1-1/2"	-**	2.50	4.40	3.50	0.75	0.25
2"	-**	3.50	5.50	4.50	0.75	0.50

*Length is for a Press x MNPT valve, additional dimensions available upon request
**1" - 2" is FNPT body with MNPT x Press adapter



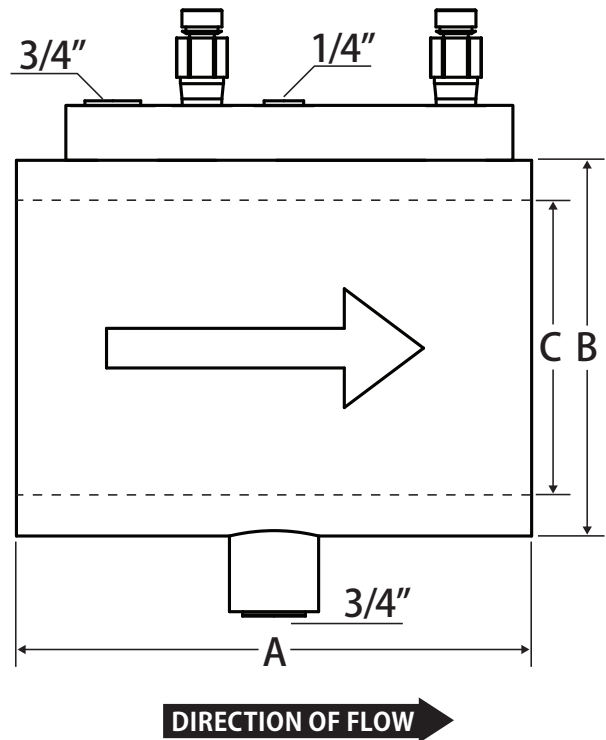
WARNING: This product can expose you to chemicals including lead, which is known to the State of California to cause cancer, and lead, which is known to the State of California to cause birth defects or other reproductive harm. For more information go to www.P65Warnings.ca.gov.

Automatic Balancing Valve

Automatic Flow Limiter • Wafer Connection • 400 WOG



Terminator A Wafer x Wafer



DIRECTION OF FLOW →

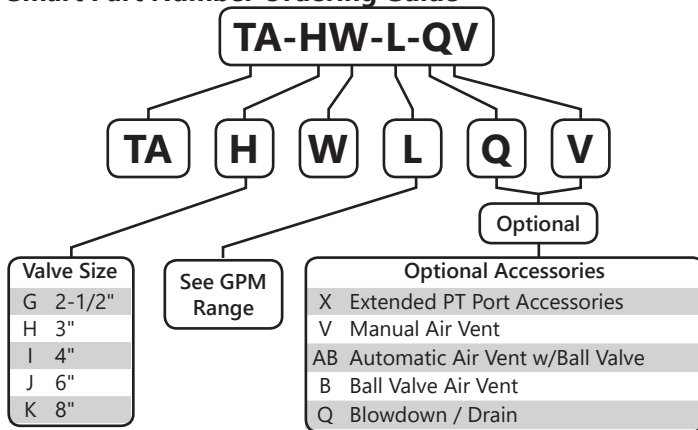
Features

- 2-50 PSID operating range
- +/- 5% Accuracy
- Two pressure / temperature (PT) test ports
- Location tag
- Two additional accessory tap

Pressure and Temperature Rating

- 2-1/2" - 6": 426 WOG
- 8" - 12": 400 WOG
- 350°F Max

Smart Part Number Ordering Guide



Material Specifications

Part	Material
Body (2-1/2" - 6")	Cast Iron
Body (8" - 12")	Carbon Steel
Balancing Cartridge	Brass, Stainless steel, EPDM
Cartridge C-Clip Retainer	Carbon Steel

Dimensions

Size	A	B	C
2-1/2"	6.26	4.875	2.56
3"	6.26	5.875	3.34
4"	6.26	6.875	4.86
6"	6.26	8.750	7.10
8"	6.26	11.00	9.26

GPM Range

Size	Flow Rate	Low or High
2-1/2"	10 - 60	L
2-1/2"	61 - 126	H
3"	18 - 126	L
3"	127 - 300	H
4"	18 - 150	L
4"	151 - 326	H
6"	62 - 260	L
6"	261 - 526	H
8"	180 - 463	L
8"	464 - 926	H

WARNING: This product can expose you to chemicals including lead, which is known to the State of California to cause cancer, and lead, which is known to the State of California to cause birth defects or other reproductive harm. For more information go to www.P65Warnings.ca.gov.

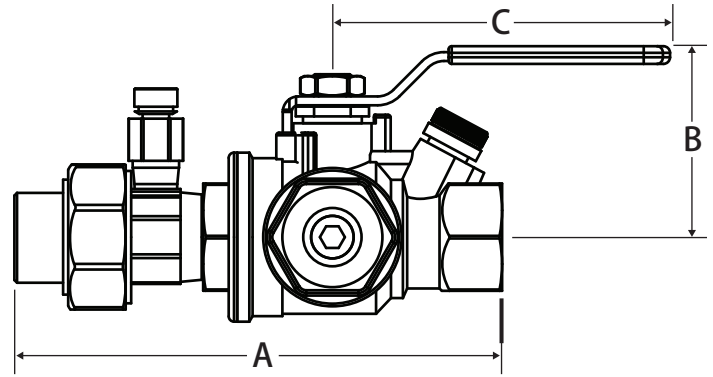
Combination Strainer Valve



Integrated Isolation Ball Valve and Strainer • Union • 400 WOG



Terminator S



DIRECTION OF FLOW

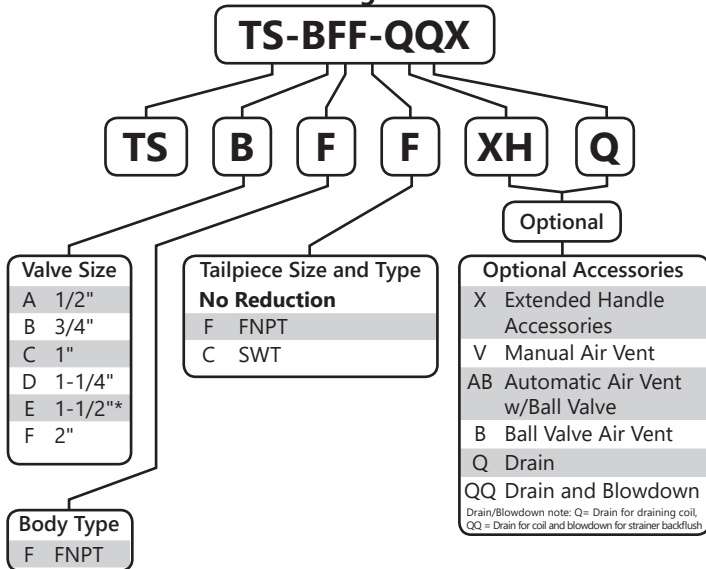
Features

- Integrated back flush
- Pressure / temperature (PT) test ports
- Two additional accessory tap
- Triple sealing stem with 2 Viton® o-rings and Teflon® seal
- Blow out proof stem
- 100% leak tested
- Made in Italy
- Leakproof stem - Lifetime warranty

Pressure and Temperature Rating

- 400 WOG
- 250°F Max

Smart Part Number Ordering Guide



Material Specifications

Part	Material
Body	Brass - CW602N
End Connection	Brass - CW602N
Ball	Chrome Plated Brass - CW602N
Seat (2)	Virgin PTFE
Stem	Brass - CW602N
Packing	Virgin PTFE
Stem O-ring (2)	Viton®
Packing Gland	Brass - CW614N
Handle	Steel - Geomet® Plated
Handle Nut	Steel - Geomet® Plated
Filter Basket	304 Stainless Steel
C-Clip Retainer	304 Stainless Steel
Body Insert	Brass - CW602N
Auxiliary Seat	Virgin PTFE
Cap	Brass - CW602N
O-ring	Viton®
Back Flush Plug	Brass - CW614N
Back Flush O-ring	Viton®
Back Flush Cap	Brass - CW614N
Union	(See Terminator U Spec Sheet)

Dimensions

Size	A*	B	C	Cv
1/2"	5.70	2.40	4.75	13.02
3/4"	5.70	2.40	4.75	13.02
1"	6.50	2.60	4.75	16.28
1-1/4"	7.38	3.23	5.88	24.20
1-1/2"	7.68	3.50	5.88	39.63
2"	9.44	3.15	8.13	74.85

*Length is for a FNPT x FNPT valve, additional dimensions available upon request

*Does not have back flush feature



WARNING: This product can expose you to chemicals including lead, which is known to the State of California to cause cancer, and lead, which is known to the State of California to cause birth defects or other reproductive harm. For more information go to www.P65Warnings.ca.gov.

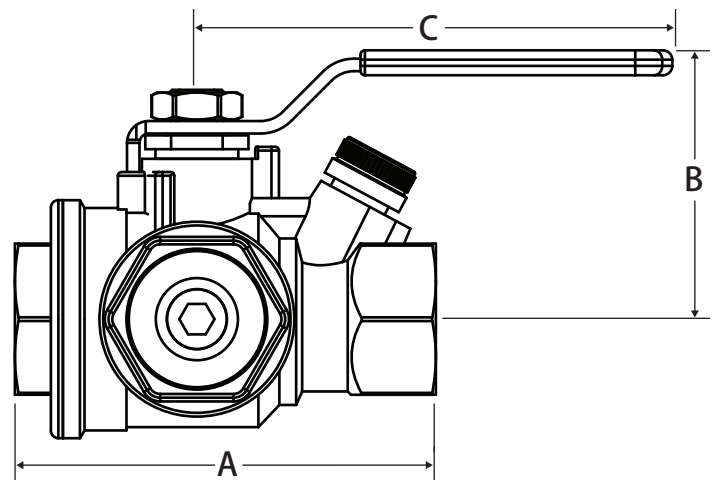
LT-JH-TS 103018

Combination Strainer Valve

Integrated Isolation Ball Valve and Strainer • 400 WOG



Terminator S Junior



← DIRECTION OF FLOW

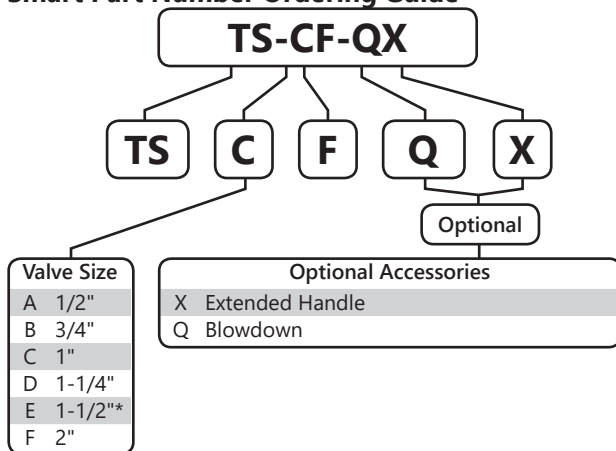
Features

- Integrated backflush
- Additional accessory tap
- Triple sealing stem with 2 Viton® o-rings and Teflon® seal
- Blow out proof stem
- 100% leak tested
- Made in Italy
- Leakproof stem - Lifetime warranty

Pressure and Temperature Rating

- 400 WOG
- 250°F Max

Smart Part Number Ordering Guide



*Does not have back flush feature

WARNING: This product can expose you to chemicals including lead, which is known to the State of California to cause cancer, and lead, which is known to the State of California to cause birth defects or other reproductive harm. For more information go to www.P65Warnings.ca.gov.

Material Specifications

Part	Material
Body	Brass - CW602N
End Connection	Brass - CW602N
Ball	Chrome Plated Brass - CW602N
Seat (2)	Virgin PTFE
Stem	Brass - CW602N
Packing	Virgin PTFE
Stem O-ring (2)	Viton®
Packing Gland	Brass - CW614N
Handle	Steel - Geomet® Plated
Handle Nut	Steel - Geomet® Plated
Filter Basket	304 Stainless Steel
C-Clip Retainer	304 Stainless Steel
Body Insert	Brass - CW602N
Auxiliary Seat	Virgin PTFE
Cap	Brass - CW602N
O-ring	Viton®
Back Flush Plug	Brass - CW614N
Back Flush O-ring	Viton®
Back Flush Cap	Brass - CW614N

Dimensions

Size	A	B	C	Cv
1/2"	3.48	2.40	4.75	13.02
3/4"	3.48	2.40	4.75	13.02
1"	4.19	2.60	4.75	16.28
1-1/4"	4.84	3.23	5.88	24.20
1-1/2"	5.00	3.50	5.88	39.63
2"	6.61	3.15	8.13	74.85

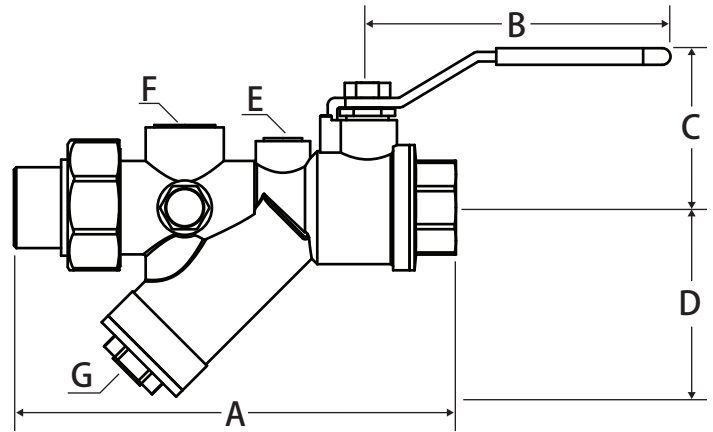
Combination Strainer Valve



Y-Strainer • Isolation Ball Valve • 20 Mesh Strainer with Union and PT Port • 600 WOG



Terminator Y



← DIRECTION OF FLOW

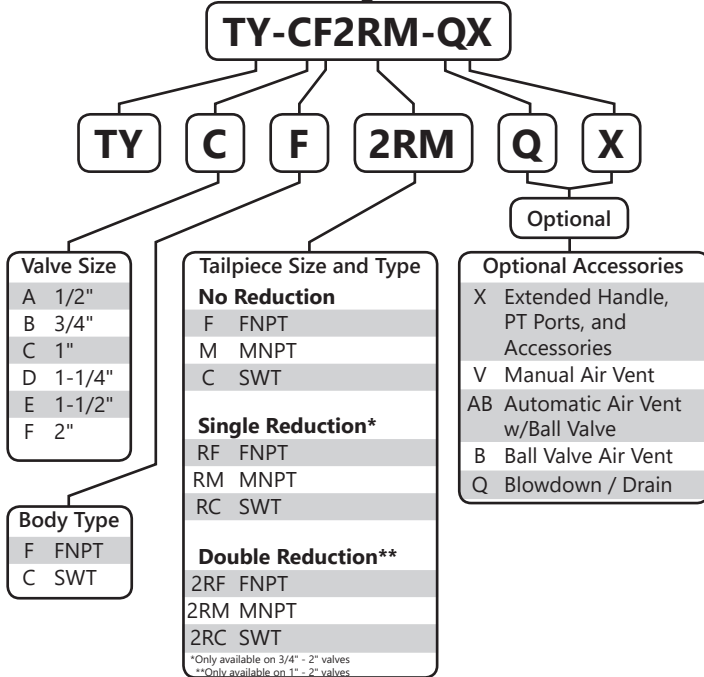
Features

- Three additional accessory tap
- Triple sealing stem with 2 Viton® o-rings and Teflon® seal
- Blow out proof stem
- 100% leak tested

Pressure and Temperature Rating

- 600 WOG
- 325°F Max

Smart Part Number Ordering Guide



Material Specifications

Part	Material
Body	Brass -CW617N
End Connection	Brass -CW617N
Ball	Chrome Plated Brass -CW617N
Seat (2)	PTFE
Stem	Brass -CW617N
Packing	PTFE
Stem O-ring (2)	Viton®
Packing Gland	Brass -CW617N
Handle	Steel - Zinc Plated
Handle Nut	Brass -CW617N
Service Cap	Brass -CW617N
Service Cap O-ring	Viton®
Strainer	304 Stainless Steel
Union Gasket	EPDM
Tail Piece	Brass -CW617N
Union Nut	Brass -CW617N

Dimensions

Size	A*	B	C	D	E	F	G	Cv
1/2"	5.03	3.40	1.70	1.60	0.25	0.50	0.25	5.50
3/4"	5.88	3.40	1.80	2.40	0.25	0.50	0.25	9.00
1"	6.25	3.40	1.80	2.40	0.25	0.50	0.25	9.00
1-1/4"	7.88	4.40	2.50	3.50	0.25	0.75	0.25	28.00
1-1/2"	8.00	4.40	2.50	3.50	0.25	0.75	0.25	28.00
2"	10.31	5.50	3.50	4.50	0.25	0.75	0.50	32.00

*Length is for a SWT x FNPT valve, additional dimensions available upon request

WARNING: This product can expose you to chemicals including lead, which is known to the State of California to cause cancer, and lead, which is known to the State of California to cause birth defects or other reproductive harm. For more information go to www.P65Warnings.ca.gov.

Combination Strainer Valve

Y-Strainer • Isolation Ball Valve • Union • 600 WOG • with Stainless Steel Trim



Terminator Y SS

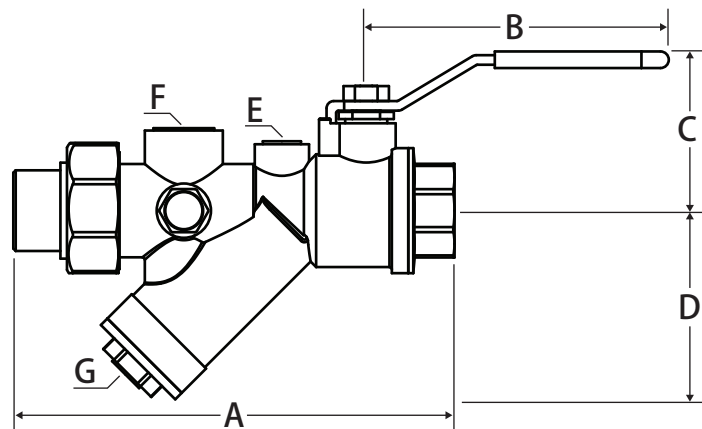
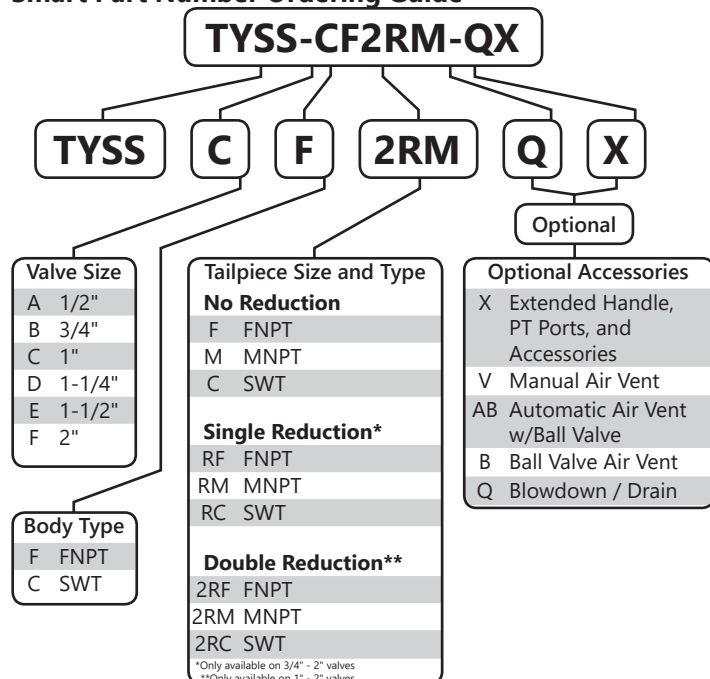
Features

- Three additional accessory tap
- Triple sealing stem with 2 Viton® o-rings and Teflon® seal
- Blow out proof stem
- 100% leak tested

Pressure and Temperature Rating

- 600 WOG
- 325°F Max

Smart Part Number Ordering Guide



← DIRECTION OF FLOW

Material Specifications

Part	Material
Body	Brass - CW617N
End Connection	Brass -CW617N
Ball	316 Stainless Steel
Seat (2)	PTFE
Stem	316 Stainless Steel
Packing	PTFE
Stem O-ring (2)	Viton®
Packing Gland	Brass -CW617N
Handle	Steel - Zinc Plated
Handle Nut	Brass -CW617N
Service Cap	Brass -CW617N
Service Cap O-ring	Viton®
Strainer	304 Stainless Steel
Union Gasket	EPDM
Tail Piece	Brass - CW617N
Union Nut	Brass - CW617N

Dimensions

Size	A*	B	C	D	E	F	G	Cv
1/2"	5.03	3.40	1.70	1.60	0.25	0.50	0.25	5.50
3/4"	5.88	3.40	1.80	2.40	0.25	0.50	0.25	9.00
1"	6.25	3.40	1.80	2.40	0.25	0.50	0.25	9.00
1-1/4"	7.88	4.40	2.50	3.50	0.25	0.75	0.25	28.00
1-1/2"	8.00	4.40	2.50	3.50	0.25	0.75	0.25	28.00
2"	10.31	5.50	3.50	4.50	0.25	0.75	0.25	32.00

*Length is for a SWT x FNPT valve, additional dimensions available upon request



WARNING: This product can expose you to chemicals including lead, which is known to the State of California to cause cancer, and lead, which is known to the State of California to cause birth defects or other reproductive harm. For more information go to www.P65Warnings.ca.gov.

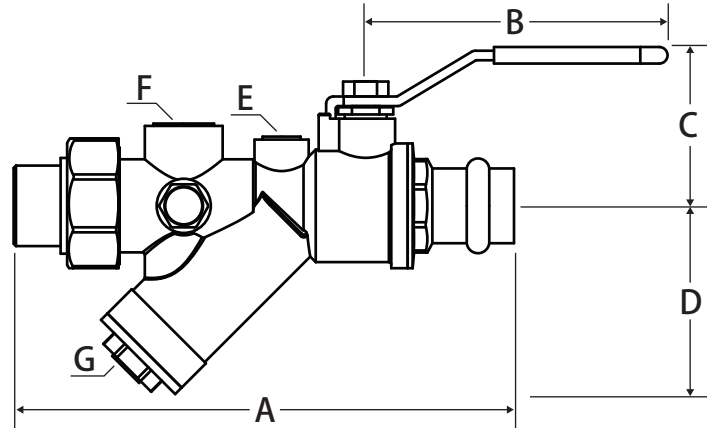
Combination Strainer Valve



Y-Strainer • Isolation Ball Valve • Union • Press Body Connection • 250 WOG



Terminator Y Press



← DIRECTION OF FLOW

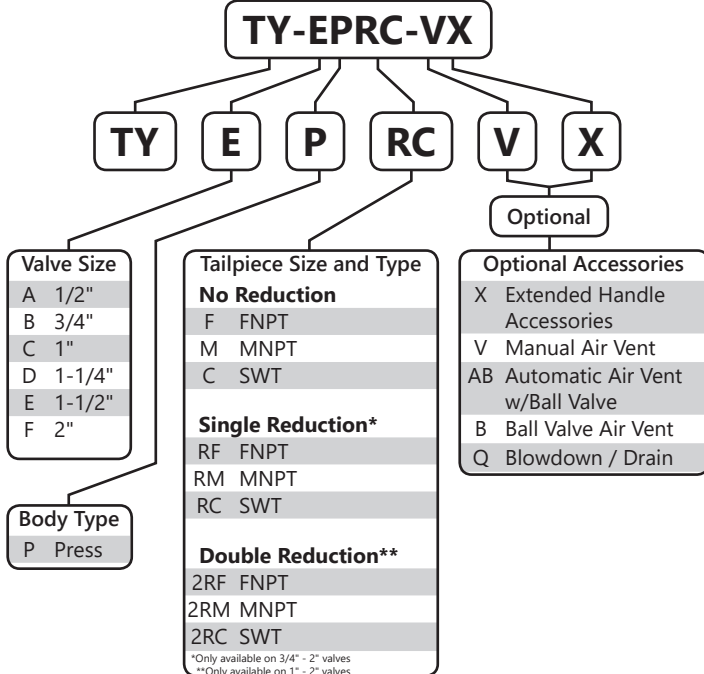
Features

- Three additional accessory tap
- Triple sealing stem with 2 Viton® o-rings and Teflon® seal
- Blow out proof stem
- 100% leak tested

Pressure and Temperature Rating

- 250 WOG
- 325°F Max

Smart Part Number Ordering Guide



Material Specifications

Part	Material
Body	Brass -CW617N
End Connection	Brass -CW617N
Press O-ring	EPDM
Ball	Chrome Plated Brass -CW617N
Seat (2)	PTFE
Stem	Brass -CW617N
Packing	PTFE
Stem O-ring (2)	Viton®
Packing Gland	Brass -CW617N
Handle	Steel - Zinc Plated
Handle Nut	Brass -CW617N
Service Cap	Brass -CW617N
Service Cap O-ring	Viton®
Strainer	304 Stainless Steel
Union Gasket	EPDM
Tail Piece	Brass -CW617N
Union Nut	Brass -CW617N

Dimensions

Size	A*	B	C	D	E	F	G	Cv
1/2"	5.42	3.40	1.70	1.60	0.25	0.50	0.25	5.50
3/4"	6.50	3.40	1.80	2.40	0.25	0.50	0.25	9.00
1"	-**	3.40	1.80	2.40	0.25	0.50	0.25	9.00
1-1/4"	-**	4.40	2.50	3.50	0.25	0.75	0.25	28.00
1-1/2"	-**	4.40	2.50	3.50	0.25	0.75	0.25	28.00
2"	-**	5.50	3.50	4.50	0.25	0.75	0.25	32.00

*Length is for a Press x FNPT valve, additional dimensions available upon request
**1" - 2" is FNPT body with MNPT x Press adapter

WARNING: This product can expose you to chemicals including lead, which is known to the State of California to cause cancer, and lead, which is known to the State of California to cause birth defects or other reproductive harm. For more information go to www.P65Warnings.ca.gov.

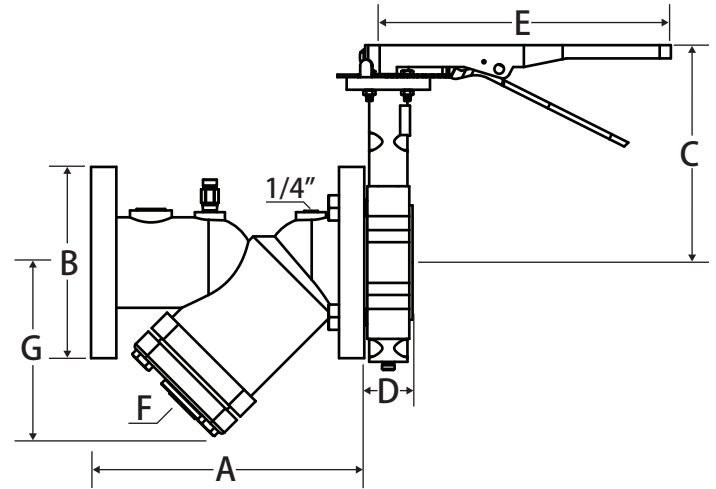
LT-JH-TS 103018

Isolation Y-Strainer

Y-Strainer • Isolation Butterfly Valve • Lug x Flange Connection • Class 125



Terminator S



← DIRECTION OF FLOW

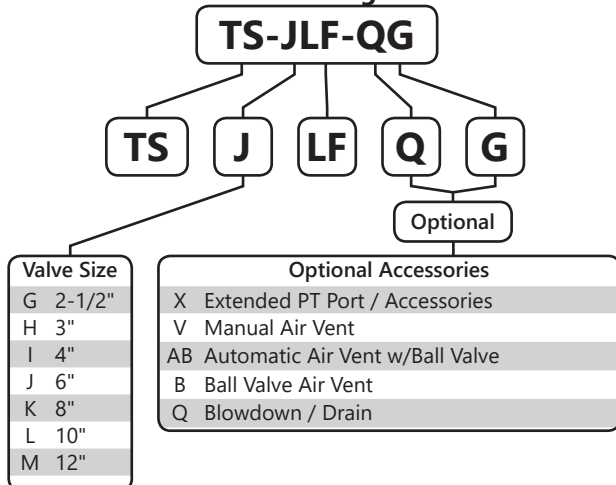
Features

- Pressure / temperature (PT) test port
- Three additional accessory tap
- Ten-position lockable lever handle
- Class 150 Flange
- 100% leak tested
- Standard Screens:
 - 2" - 4": 1/16" perforations
 - 6" - 8": 1/8" perforations
 - 10" - 12": 3/16" perforations

Pressure and Temperature Rating

- 200 WOG
- 150°F Max

Smart Part Number Ordering Guide



Material Specifications

Part	Material
Body	Ductile Iron
Service Cover	Ductile Iron
Bolt (4)	Carbon Steel - A307
Gasket	Non-Asbestos
Strainer	304 Stainless Steel
Butterfly Valve	(See Butterfly Valve Spec Sheet)

Dimensions

Size	A	B	C	D	E	F (NPT)	G
2-1/2"	10.00	7.00	7.60	1.76	10.64	1.00	6.50
3"	10.13	7.50	8.15	1.78	10.64	1.00	7.00
4"	12.13	9.00	8.39	2.05	10.64	1.50	8.25
6"	18.50	11.00	9.13	2.20	10.64	2.00	13.50
8"	21.63	13.50	10.16	2.39	14.18	2.00	15.50
10"	26.00	16.00	11.85	2.58	19.70	2.00	18.50
12"	29.88	19.00	13.11	3.03	19.70	2.00	21.75



WARNING: This product can expose you to chemicals including lead, which is known to the State of California to cause cancer, and lead, which is known to the State of California to cause birth defects or other reproductive harm. For more information go to www.P65Warnings.ca.gov.

Y-Strainer

Y-Strainer • Flange Connection • Class 125



Terminator Y

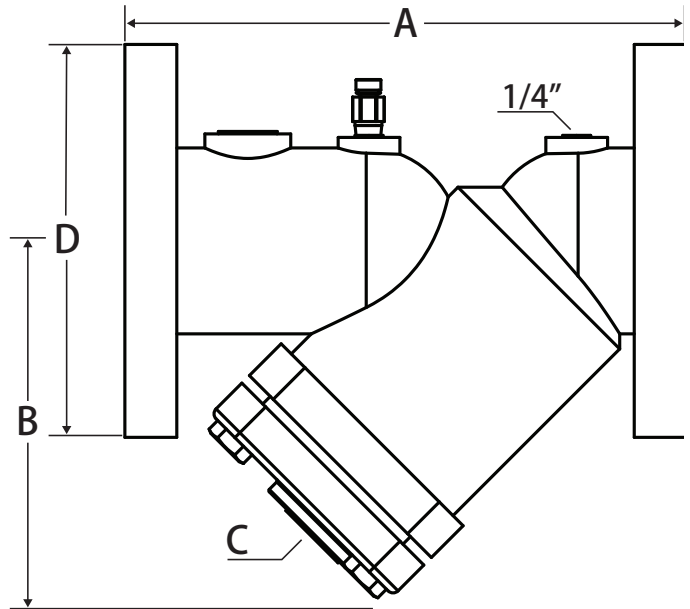
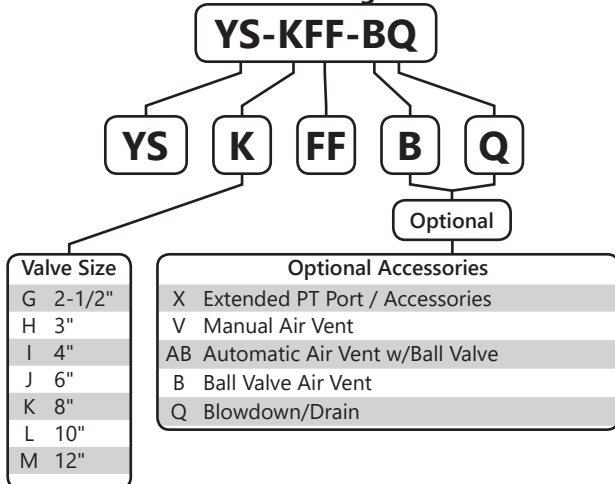
Features

- Three additional accessory taps
- Class 125 Flange
- 100% leak tested
- Standard Screens:
 - 2" - 4": 1/16" perforations
 - 6" - 8": 1/8" perforations
 - 10" - 12": 3/16" perforations

Pressure and Temperature Rating

- 200 WOG
- 150°F Max

Smart Part Number Ordering Guide



← DIRECTION OF FLOW

Material Specifications

Part	Material
Body	Ductile Iron
Service Cover	Ductile Iron
Bolt (4)	Carbon Steel - A307
Gasket	Non-Asbestos
Strainer	304 Stainless Steel

Dimensions

Size	A	B	C (NPT)	D
2-1/2"	10.00	6.50	1.00	7.00
3"	10.13	7.00	1.00	7.50
4"	12.13	8.25	1.50	9.00
6"	18.50	13.50	2.00	11.00
8"	21.63	15.50	2.00	13.50
10"	26.00	18.50	2.00	16.00
12"	29.88	21.75	2.00	19.00

LT-JH-TS 103018

⚠ WARNING: This product can expose you to chemicals including lead, which is known to the State of California to cause cancer, and lead, which is known to the State of California to cause birth defects or other reproductive harm. For more information go to www.P65Warnings.ca.gov.

Combination Ball Valve

Isolation Ball Valve • Union • 600 WOG



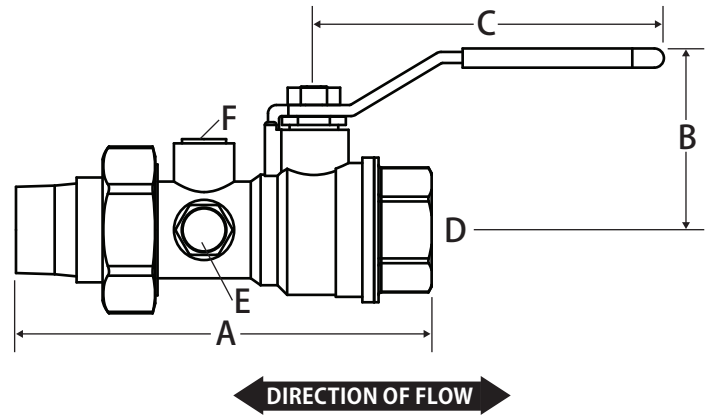
Terminator N

Features

- Pressure / temperature (PT) test ports
- Additional accessory tap
- Triple sealing stem with 2 Viton® o-rings and Teflon® seal
- Blow out proof stem
- 100% leak tested
- Made in Italy
- Leakproof steam - Lifetime warranty

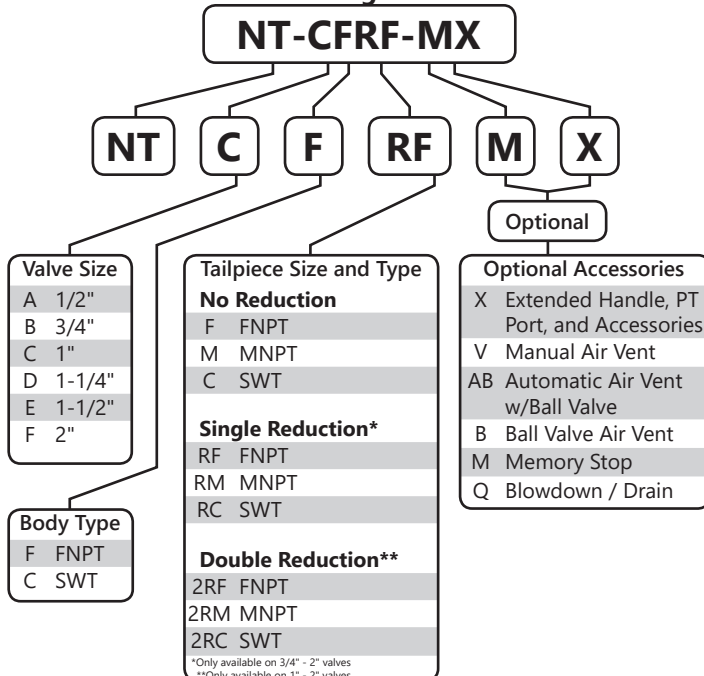
Pressure and Temperature Rating

- 1/2" - 3/4" 600 WOG
- 1" - 2" 500 WOG
- 300°F Max



Body	Brass - CW617N
End Connection	Brass - CW617N
Ball	Chrome Plated Brass - CW617N
Seat (2)	Virgin PTFE
Stem	Brass - CW614N
Packing	Virgin PTFE
Stem O-ring (2)	Viton®
Packing Gland	Brass - CW614N
Handle	Steel - Geomet® Plated
Handle Nut	Steel - Geomet® Plated
Union O-ring	Viton®
Tail Piece	Brass - CW617N
Union Nut	Brass - CW617N

Smart Part Number Ordering Guide



Dimensions

Size	A*	B	C	D	E	F	Cv
1/2"	4.68	1.53	2.95	0.59	0.25	0.25	16.82
3/4"	4.73	1.93	3.74	0.79	0.25	0.25	34.80
1"	5.44	2.40	4.72	1.00	0.25	0.25	52.20
1-1/4"	6.45	2.59	4.72	1.25	0.37	0.25	112.52
1-1/2"	7.10	3.22	5.90	1.57	0.37	0.25	174.00
2"	7.68	3.50	5.90	2.00	0.37	0.25	255.20

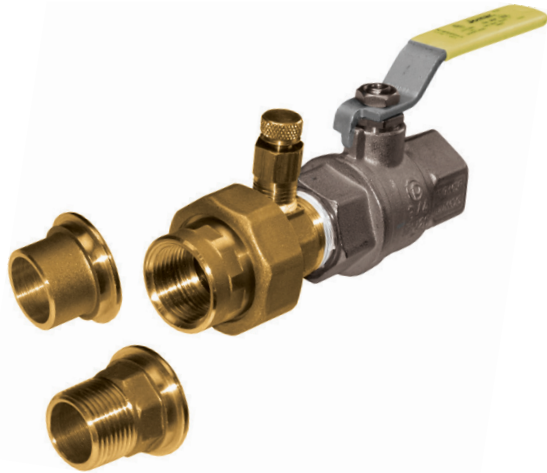
*Length is for a FNPT x MNPT valve, additional dimensions available upon request

WARNING: This product can expose you to chemicals including lead, which is known to the State of California to cause cancer, and lead, which is known to the State of California to cause birth defects or other reproductive harm. For more information go to www.P65Warnings.ca.gov.

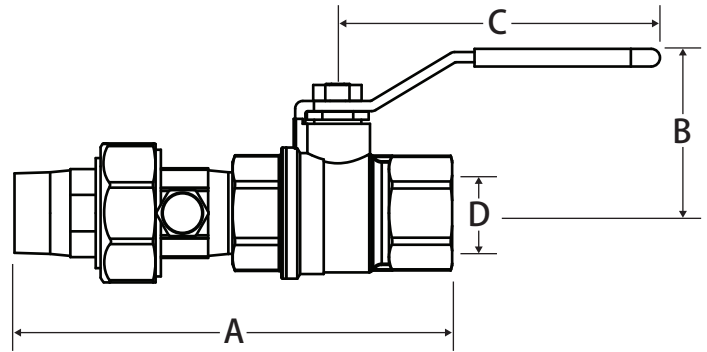
Combination Ball Valve



Isolation Ball Valve • Union • 600 WOG • with Stainless Steel Trim



Terminator N SS



DIRECTION OF FLOW

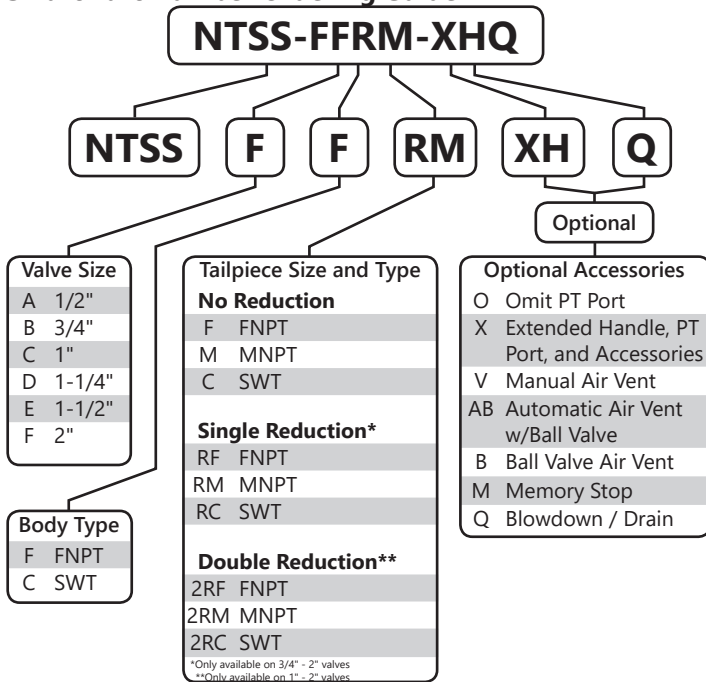
Features

- Pressure / temperature (PT) test ports
- Additional accessory tap
- Triple sealing stem with 2 Viton® o-rings and Teflon® seal
- Blow out proof stem
- 100% leak tested
- Leakproof stem - Lifetime warranty

Pressure and Temperature Rating

- 1/2" - 3/4" 600 WOG
- 1" - 2" 500 WOG
- 300°F Max

Smart Part Number Ordering Guide



Material Specifications

Part	Material
Body	T.E.A. Coated Brass - CW617N
End Connection	T.E.A. Coated Brass - CW617N
Ball	316 Stainless Steel
Seat (2)	Hostaflon® TFM 1600
Stem	316 Stainless Steel
Packing	Hostaflon® TFM 1600
Stem O-ring (2)	Viton®
Packing Gland	Nickel Plated Brass - CW614N
Handle	Steel - Geomet® Plated
Handle Nut	Steel - Geomet® Plated
Union	(See Terminator U Spec Sheet)

Dimensions

Size	A	B	C	D	Cv
1/2"	5.17	1.53	2.95	0.59	16.82
3/4"	5.34	1.93	3.74	0.79	34.80
1"	6.03	2.40	4.72	1.00	52.20
1-1/4"	7.22	2.59	4.72	1.25	112.52
1-1/2"	7.70	3.22	5.90	1.57	174.00
2"	8.62	3.50	5.90	2.00	255.20

*Length is for a FNPT x MNPT valve, additional dimensions available upon request



WARNING: This product can expose you to chemicals including lead, which is known to the State of California to cause cancer, and lead, which is known to the State of California to cause birth defects or other reproductive harm. For more information go to www.P65Warnings.ca.gov.

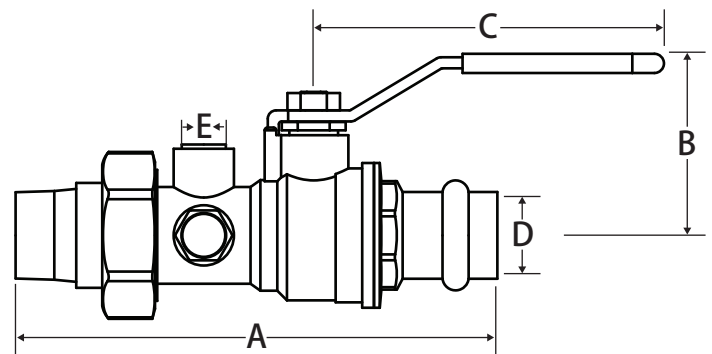
LIT-JH-TS 103018

Combination Ball Valve

Isolation Ball Valve • Union • Press Body Connection • 250 WOG



Terminator N Press



DIRECTION OF FLOW

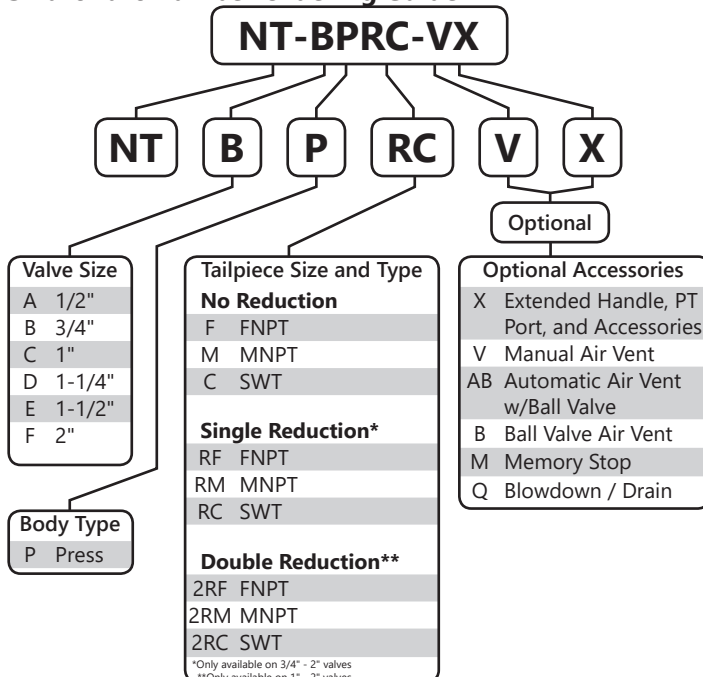
Features

- Pressure / temperature (PT) test ports
- Additional accessory tap
- Triple sealing stem with 2 Viton® o-rings and Teflon® seal
- Blow out proof stem
- 100% leak tested
- Leakproof stem - Lifetime warranty

Pressure and Temperature Rating

- 250 WOG
- 300°F Max

Smart Part Number Ordering Guide



Material Specifications

Part	Material
Body	Brass - CW617N
End Connection	Brass - CW617N
Press O-ring	EPDM
Ball	Chrome Plated Brass -CW617N
Seat (2)	Virgin PTFE
Stem	Brass - CW614N
Packing	Virgin PTFE
Stem O-ring (2)	Viton®
Packing Gland	Brass - CW614N
Handle	Steel - Geomet® Plated
Handle Nut	Steel - Geomet® Plated
Union O-ring	Viton®
Tail Piece	Brass - CW617N
Union Nut	Brass - CW617N

Dimensions

Size	A*	B	C	D	E	Cv
1/2"	5.29	1.53	2.95	0.59	0.25	20.25
3/4"	5.38	1.93	3.74	0.79	0.25	41.83
1"	..**	2.40	4.72	1.00	0.25	78.38
1-1/4"	..**	2.59	4.72	1.25	0.37	132.10
1-1/2"	..**	3.22	5.90	1.57	0.37	206.96
2"	..**	3.50	5.90	2.00	0.37	346.00

*Length is for a Press x FNPT valve, additional dimensions available upon request

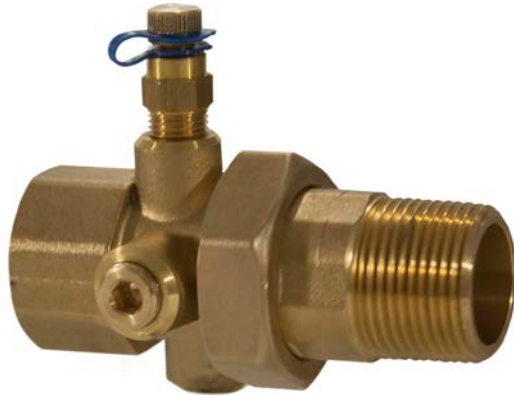
**1" - 2" is FNPT body with MNPT x Press adapter



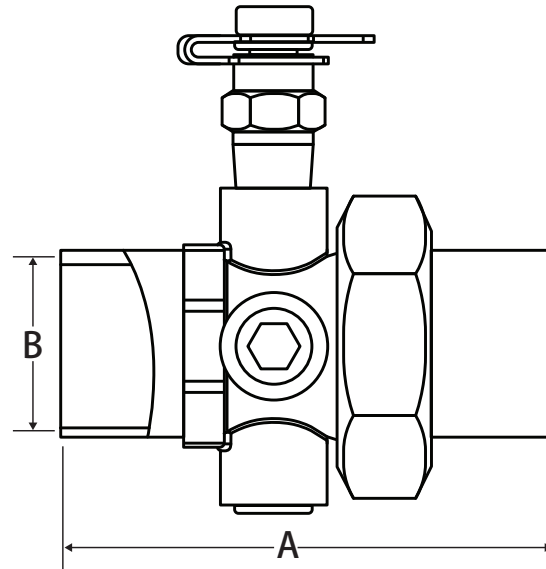
WARNING: This product can expose you to chemicals including lead, which is known to the State of California to cause cancer, and lead, which is known to the State of California to cause birth defects or other reproductive harm. For more information go to www.P65Warnings.ca.gov.

Hydronic Union

600 WOG



Terminator U



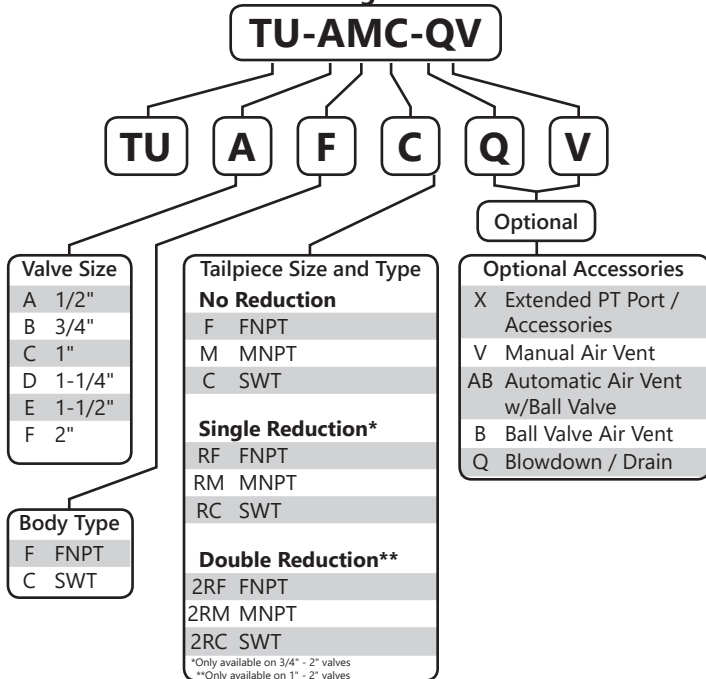
Features

- Pressure / temperature (PT) test ports
- Additional accessory taps
- 100% leak tested

Pressure and Temperature Rating

- 600 WOG
- 250°F Max

Smart Part Number Ordering Guide



Material Specifications

Part	Material
Body	Brass - CW617N
O-ring	EPDM
Tail Piece	Brass - CW617N
Union Nut	Brass - CW617N

Dimensions

Size	A	B
1/2"	2.30	0.63
3/4"	3.10	0.88
1"	3.28	1.13
1-1/4"	3.99	1.38
1-1/2"	3.86	1.63
2"	4.65	2.13

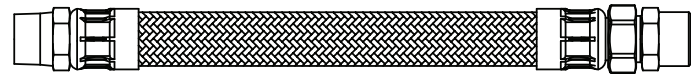
Note: Dimensions for a SWT x SWT valve, additional dimensions available upon request

WARNING: This product can expose you to chemicals including lead, which is known to the State of California to cause cancer, and lead, which is known to the State of California to cause birth defects or other reproductive harm. For more information go to www.P65Warnings.ca.gov.

LIT-JHF-TS 103018

Flexible Hose

Braided Stainless Steel Hose • EPDM Core • Union



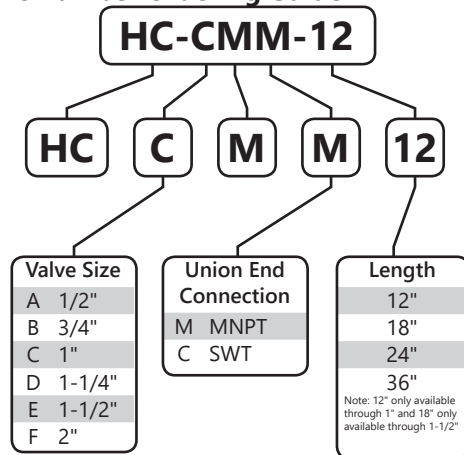
Features

- ASTM E84 Fire rated - meets 25/50
- Union Connection
 - 1/2" - 1" gasket-less cone connection
 - 1-1/4" - 2" flat connection with BA-U fiber gasket
- 100% leak tested

Temperature Rating

-5°F to 230°F

Smart Part Number Ordering Guide



Material Specifications

Part	Material
Hose Braiding	304 Stainless Steel
Crimping Ferrules	304 Stainless Steel
Core	EPDM
End Connection (2)	Brass - CW614N
Union Nut	Nickle Plated Brass - CW614N
Tail Piece	Brass - CW614N
Gasket*	BA-U Fiber

*Gasket only used on 1 1/4" - 2" hoses

Length	Cv					
	1/2"	3/4"	1"	1-1/4"	1-1/2"	2"
12"	3.3	11.0	20.9	N/A	N/A	N/A
18"	3.2	10.7	20.3	37.9	64.4	N/A
24"	3.1	9.9	19.5	36.9	61.0	110.7
36"	3.0	9.3	18.2	34.7	55.0	100.8

Max. Operating & Burst Pressure Rating

Size	Operating (PSI)	Burst (PSI)
1/2"	375	1500
3/4"	300	1200
1"	225	900
1-1/4"	200	800
1-1/2"	175	600
2"	150	500

Installation Notes

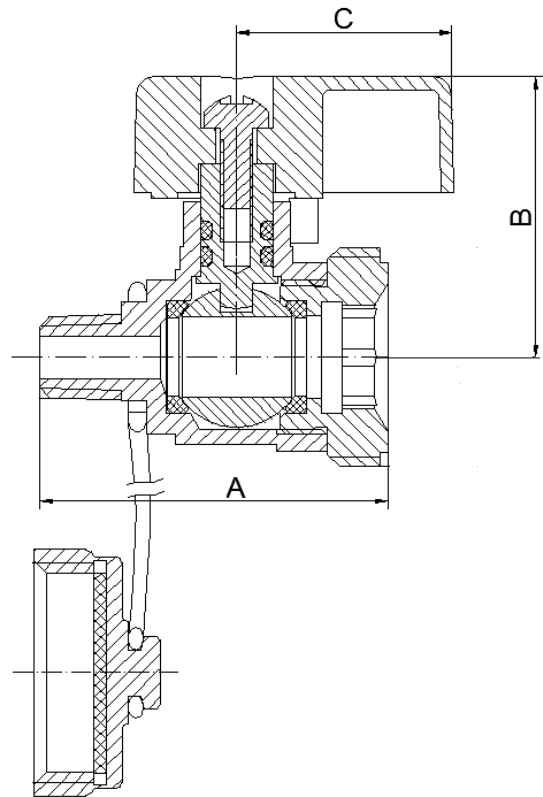
- **ON INSTALLATION** : Avoid absolutely any tension due to stretching, twisting or torsion during the course of tightening the connectors.
 - Install and tighten the fixed male connector
 - Install and tighten the union adapter
 - Install and tighten the swivel nut
- Use two spanners in order to screw in the union: One to hold the hexagon of the adapter. The other to tighten the nut at the same time.

IMPORTANT - Do not re-screw the fixed connector or adaptor after tightening of the swivel nut; this will cause torsion on the flexible hose, with a risk of rapid deterioration. On removal, take the same precautions. Not applicable for gas applications. Before installing refer to the installation & operation instructions for complete details.

WARNING: This product can expose you to chemicals including lead, which is known to the State of California to cause cancer, and lead, which is known to the State of California to cause birth defects or other reproductive harm. For more information go to www.P65Warnings.ca.gov.

Drain and Blowdown Valve

Isolation Ball Valve • 600 WOG



Features

- 3/4" garden hose drain connection
- Includes drain cap and retainer
- 100% leak tested

Pressure and Temperature Rating

- 600 WOG
- 300°F Max

WARNING: This product can expose you to chemicals including lead, which is known to the State of California to cause cancer, and lead, which is known to the State of California to cause birth defects or other reproductive harm. For more information go to www.P65Warnings.ca.gov.

Material Specifications

Part	Material
Body	Brass - CW617N
Retaining Ring	Brass - CW617N
Ball	Chrome Plated Brass - C3604DB
Seat (2)	PTFE
Stem	Brass - CW617N
Stem Sealing	EPDM
Handle	Painted Aluminum
Screw	Steel - Nickel Plated
Cap	Brass - CW617N
Retaining Strap	Plastic
Washer Ring	EPDM

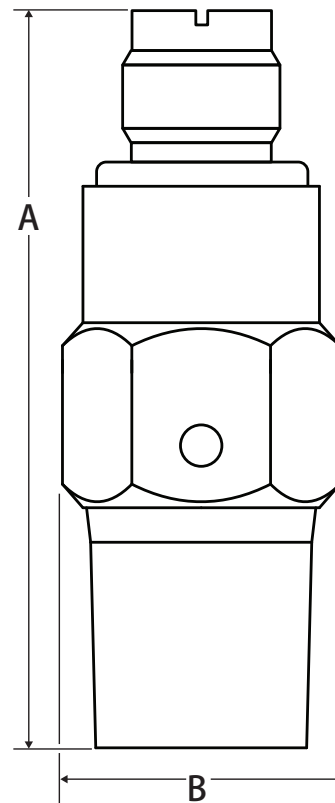
Dimensions

Part #	Inlet	Outlet	A	B	C
TQ-B1	1/4" MNPT	3/4" GH	1.76	1.37	1.06

LIT-JH-TS 103018

Manual Air Vent

Coin Operated • 150 WOG



Features

- 100% leak tested

Pressure and Temperature Rating

- 125 WOG
- 250°F Max

Material Specifications

Part	Material
Body	Brass - C36000
Plug Screw	Brass - C36000

Dimensions

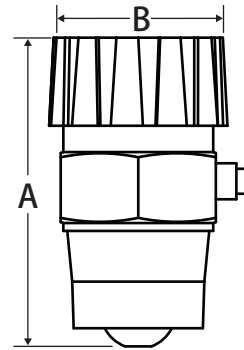
Part #	Size	A	B
TV-A2	1/4" MNPT	1.63	0.58
TVX-A2-N	1/4" MNPT	2.75	0.58



WARNING: This product can expose you to chemicals including lead, which is known to the State of California to cause cancer, and lead, which is known to the State of California to cause birth defects or other reproductive harm. For more information go to www.P65Warnings.ca.gov.

Automatic Air Vent

Hygroscopic Discs • 125 WOG



Features

- Manual Override
- 100% leak tested

Pressure and Temperature Rating

- 125 WOG
- 230°F Max

Material Specifications

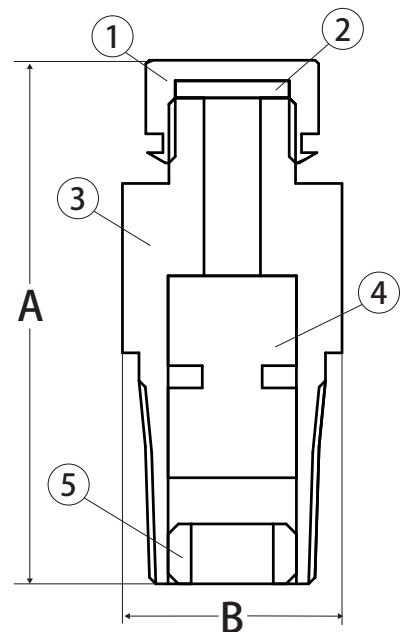
Part	Material
Body	Nickle Plated Brass - C36000
Disc Bearing Cover	Nickle Plated Brass - C36000
Disc Holder	Nickle Plated Brass - C36000
Hygroscopic Discs	Cellulose Fiber
O-Ring	Neoprene
Check Valve	304 Stainless Steel
Cap	ABS

Dimensions

Part #	Size	A	B
AAV-A1	1/4" MNPT	1.26	0.70

Pressure / Temperature Test Port

Dual Neoprene Core • 1000 WOG • with PT Port Cap Retainer



Features

- Dual core design seals up to 1000 PSIG
- Maintains alignment
- Provide access to fluids and gases in closed systems without disruption

Pressure and Temperature Rating

- 1000 WOG
- 350°F Max

WARNING: This product can expose you to chemicals including lead, which is known to the State of California to cause cancer, and lead, which is known to the State of California to cause birth defects or other reproductive harm. For more information go to www.P65Warnings.ca.gov.

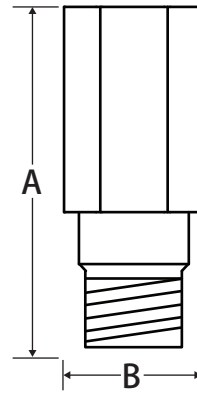
Material Specifications

No.	Part	Material
1	Cap	Brass
2	Washer	Buna-N
3	Body	Brass
4	Seal	Neoprene
5	Seal Retainer	Brass

Dimensions

Part #	Size	Port Length	A	B
SP-B	1/4"	1-1/2"	1.55	.56
SP-BXL	1/4"	3"	3.03	.56

PT Port and Accessory Extension



Dimensions

Part #	Size	A	B
SX-A	1/4"	1.75	0.63

Features

- Can be used with air vents, drains, pressure or temperate ports

LIT-JH-TS 103018



Material Specifications

Part	Material
Metering Plate	Aluminum
Memory Stop	Brass - CW617N
Memory Stop Screw	Steel - Geomet® Plated

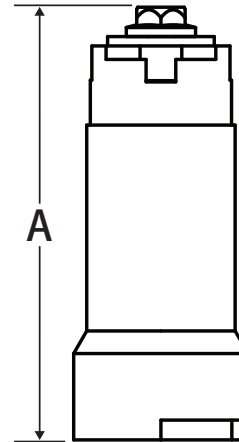
Dimensions

Part #	Size	Fits
MS-A	1/2"	NT, T-100 Series
MS-B	3/4"	NT, T-100 Series
MS-C	1" - 1-1/4"	NT, T-100 Series
MS-D	1-1/2" - 2"	NT, T-100 Series



WARNING: This product can expose you to chemicals including lead, which is known to the State of California to cause cancer, and lead, which is known to the State of California to cause birth defects or other reproductive harm. For more information go to www.P65Warnings.ca.gov.

Handle Extension



Features

- Allows for easy insulation

Material Specifications

Part	Material
Body	WCB Carbon Steel
Inner Rod	WCB Carbon Steel
Washer	Steel
Bolt	Steel - Zinc Plated

Dimensions

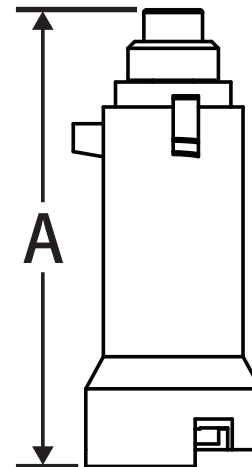
Part #	Size	Fits	A
TX-A	1/2"	TY, TA Series	2.0
TX-B	3/4" - 1"	TY, TA Series	2.0
TX-C	1-1/4" - 1-1/2"	TY, TA Series	2.0
TX-D	2"	TY, TA Series	2.0



WARNING: This product can expose you to chemicals including phthalates, which is known to the State of California to cause cancer, and phthalates, which is known to the State of California to cause birth defects or other reproductive harm. For more information go to www.P65Warnings.ca.gov.

Handle Extension

Compatible with Memory Stop



Features

- Allows for easy insulation

Material Specifications

Part	Material
Body	Brass - CW617N
Inner Rod	Brass - CW614N
Spacer	Steel
Screw	Steel - Geomet® Plated

Dimensions

Part #	Fits				A
	TB	NT	T100	TS	
TX-A-MS	1/2" - 3/4"	1/2"	1/2"		2.0
TX-B-MS	1"	3/4"	3/4"		2.0
TX-C-MS	1-1/4" - 1-1/2"	1" - 1-1/4"	1" - 1-1/4"	1/2" - 1"	2.0
TX-D-MS	2"	1-1/2", 2"	1-1/2", 2"	1-1/4" - 1-1/2"	2.0
TX-E*	-	-	-	2"	2.0

* Does not accommodate memory stop



WARNING: This product can expose you to chemicals including phthalates, which is known to the State of California to cause cancer, and phthalates, which is known to the State of California to cause birth defects or other reproductive harm. For more information go to www.P65Warnings.ca.gov.

Differential Metering Kit



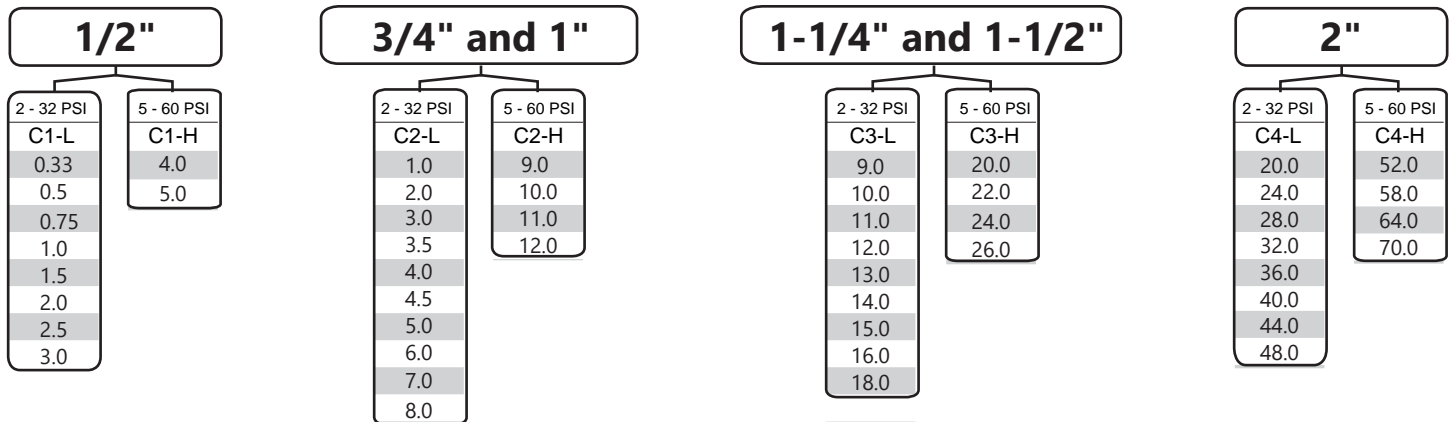
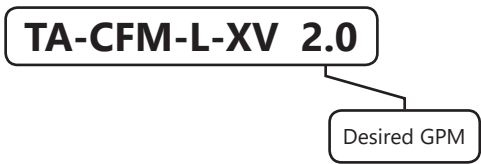
Dimensions

Part #	DP IN. (WC) Range	Description
MK-50	0" - 50"	Differential Pressure In. of WC
MK-100	0" - 100"	Differential Pressure In. of WC

LIT-JH-TS 103018

GPM Ordering Guide

Select a size and GPM, this will determine the cartridge type



Note: Custom Flow rates and pressure ranges available, please contact HCI for more information

Pressure Drop Chart

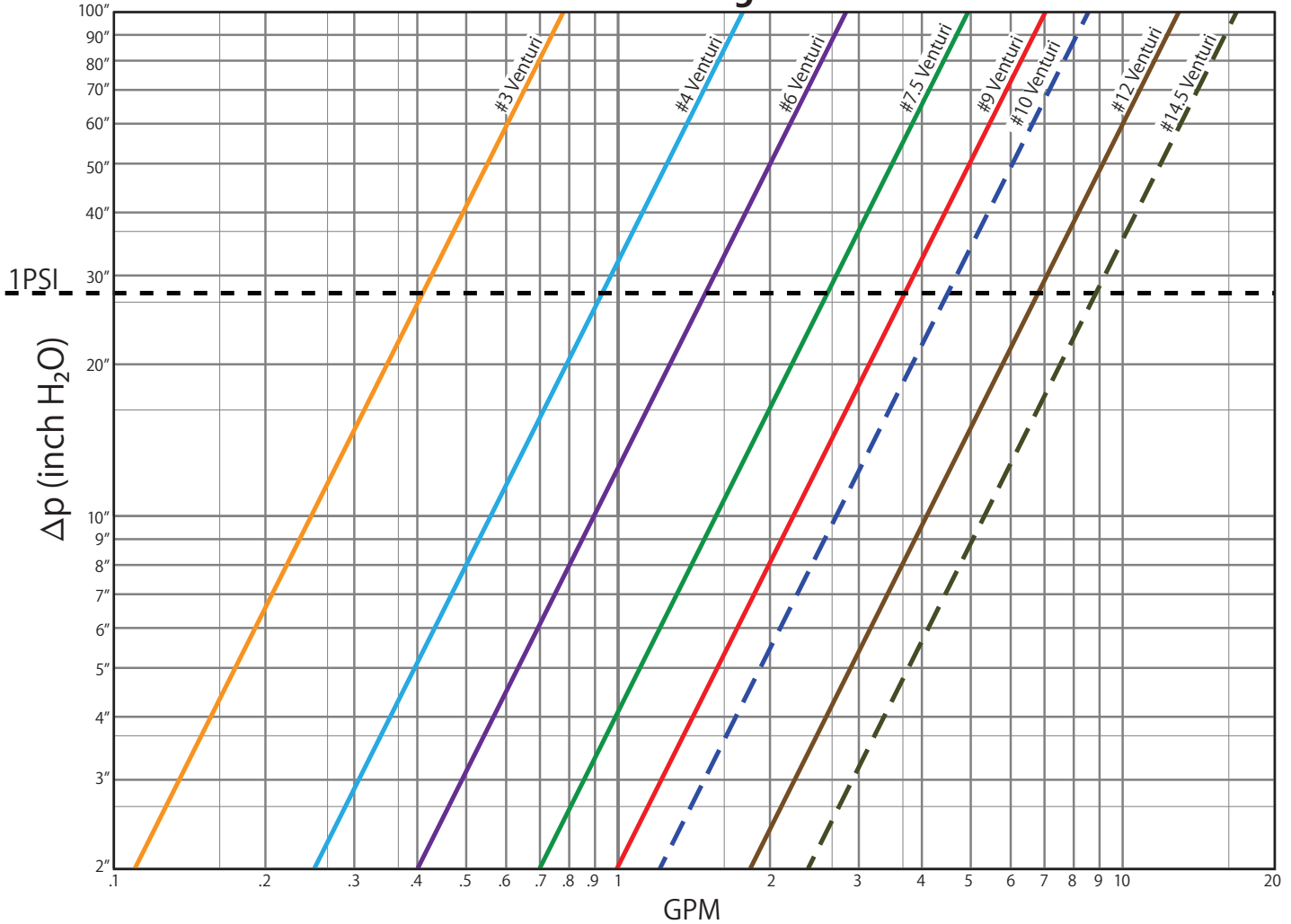
Terminator B & MS (1/2" - 1")



CV of Valves

- 1/2" & 3/4" w/ #3 Venturi: **0.44**
- 1/2" & 3/4" w/ #4 Venturi: **1.30**
- 1/2" & 3/4" w/ #6 Venturi: **2.65**
- 1/2" & 3/4" w/ #7.5 Venturi: **3.61**
- 1/2" & 3/4" w/ #9 Venturi: **7.05**
- 1/2" & 3/4" w/ #12 Venturi: **11.40**
- 1" w/ #10 Venturi: **7.05**
- 1" w/ #14.5 Venturi: **17.6**

Venturi Signal



LT-JHF-TS 103018

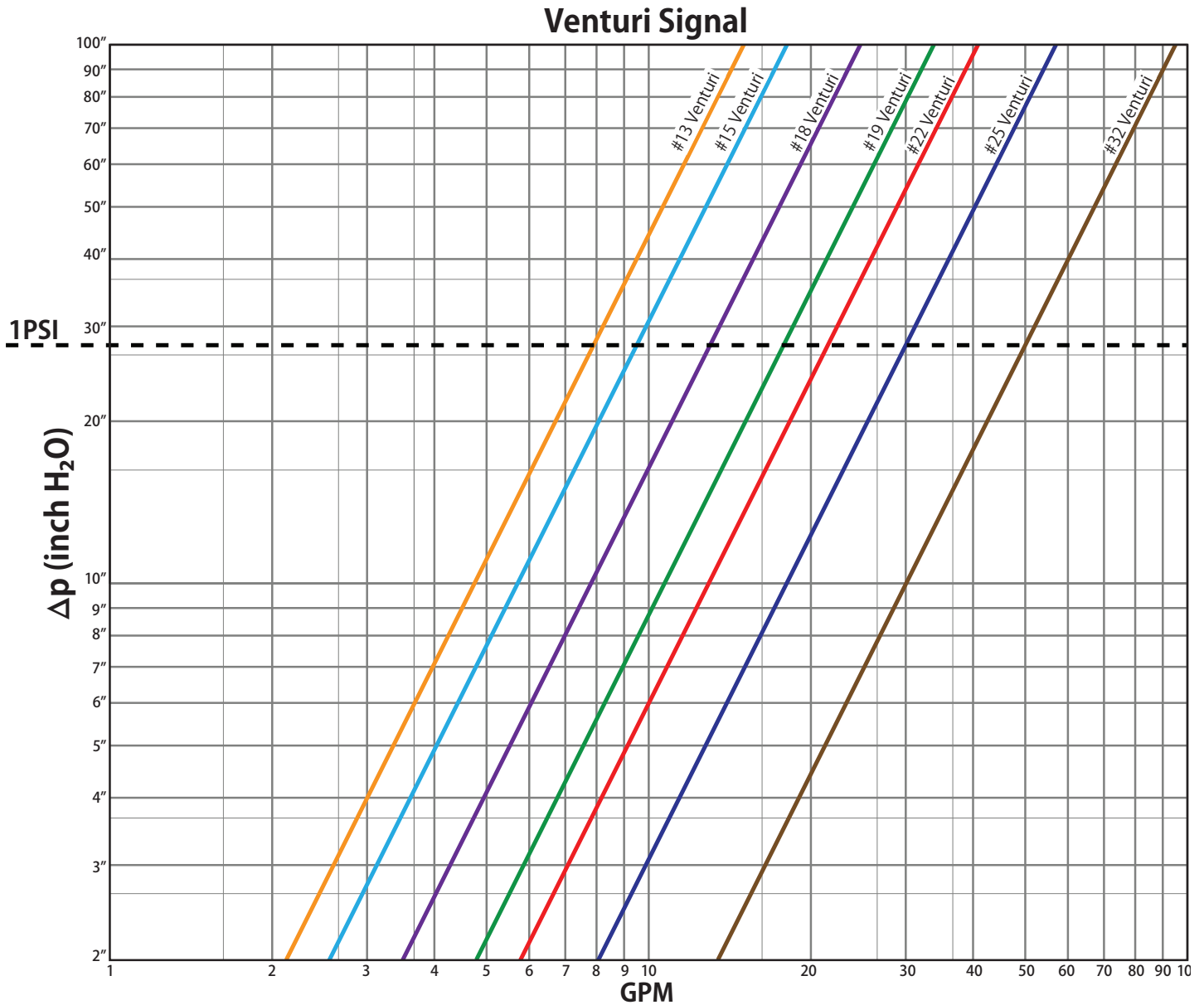
Pressure Drop Chart

Terminator B & MS (1-1/4" - 2")



CV of Valves

- 1-1/4" w/ #13 Venturi: **15.0**
- 1-1/4" w/ #19 Venturi: **34.0**
- 1-1/2" w/ #15 Venturi: **20.9**
- 1-1/2" w/ #22 Venturi: **57.0**
- 2" w/ #18 Venturi: **30.8**
- 2" w/ #25 Venturi: **57.0**
- 2" w/ #32 Venturi: **88.0**



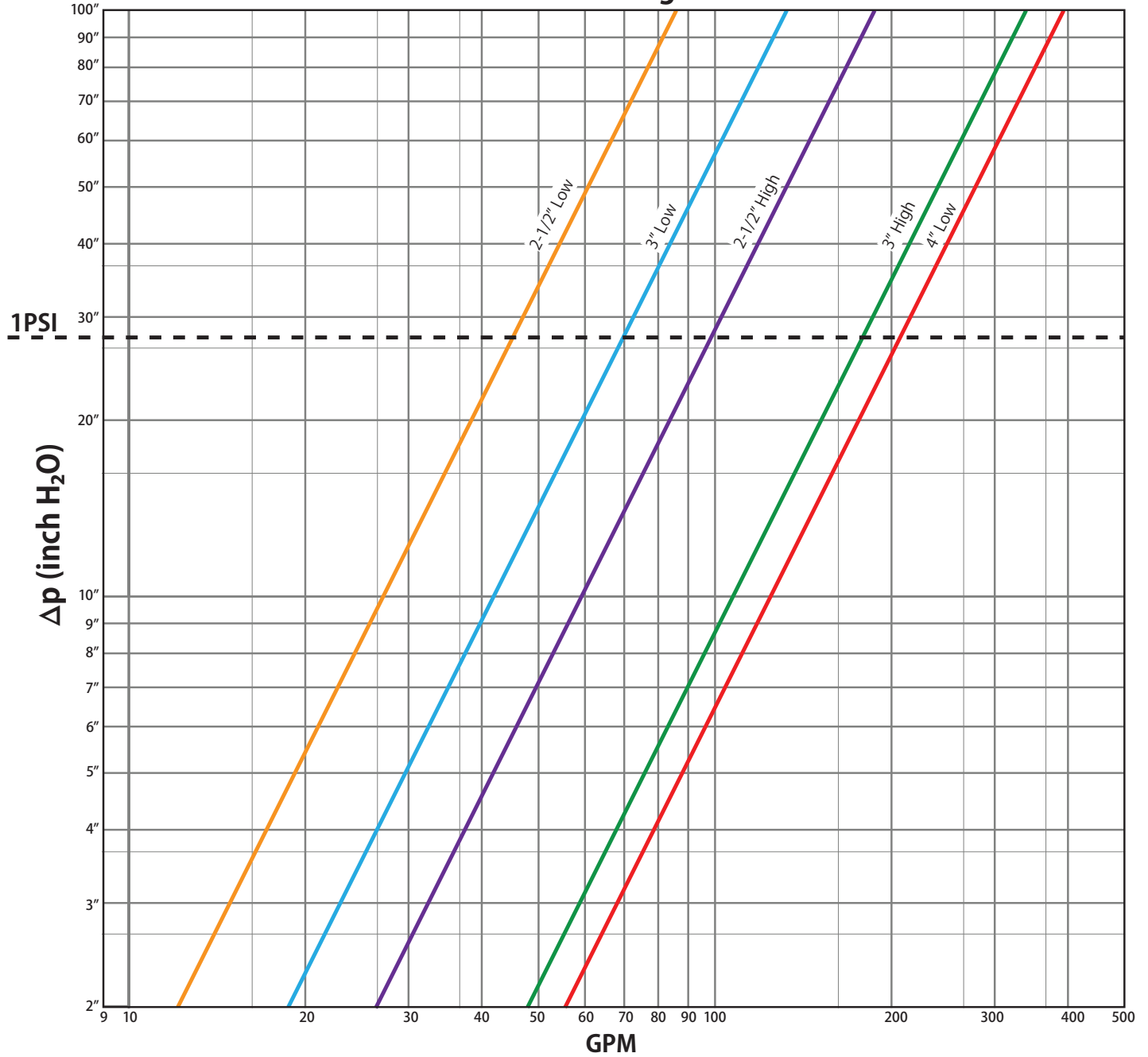
Pressure Drop Chart



Terminator B & MS (2-1/2" - 4")

Permanent pressure loss is 6% of the differential pressure

Venturi Signal

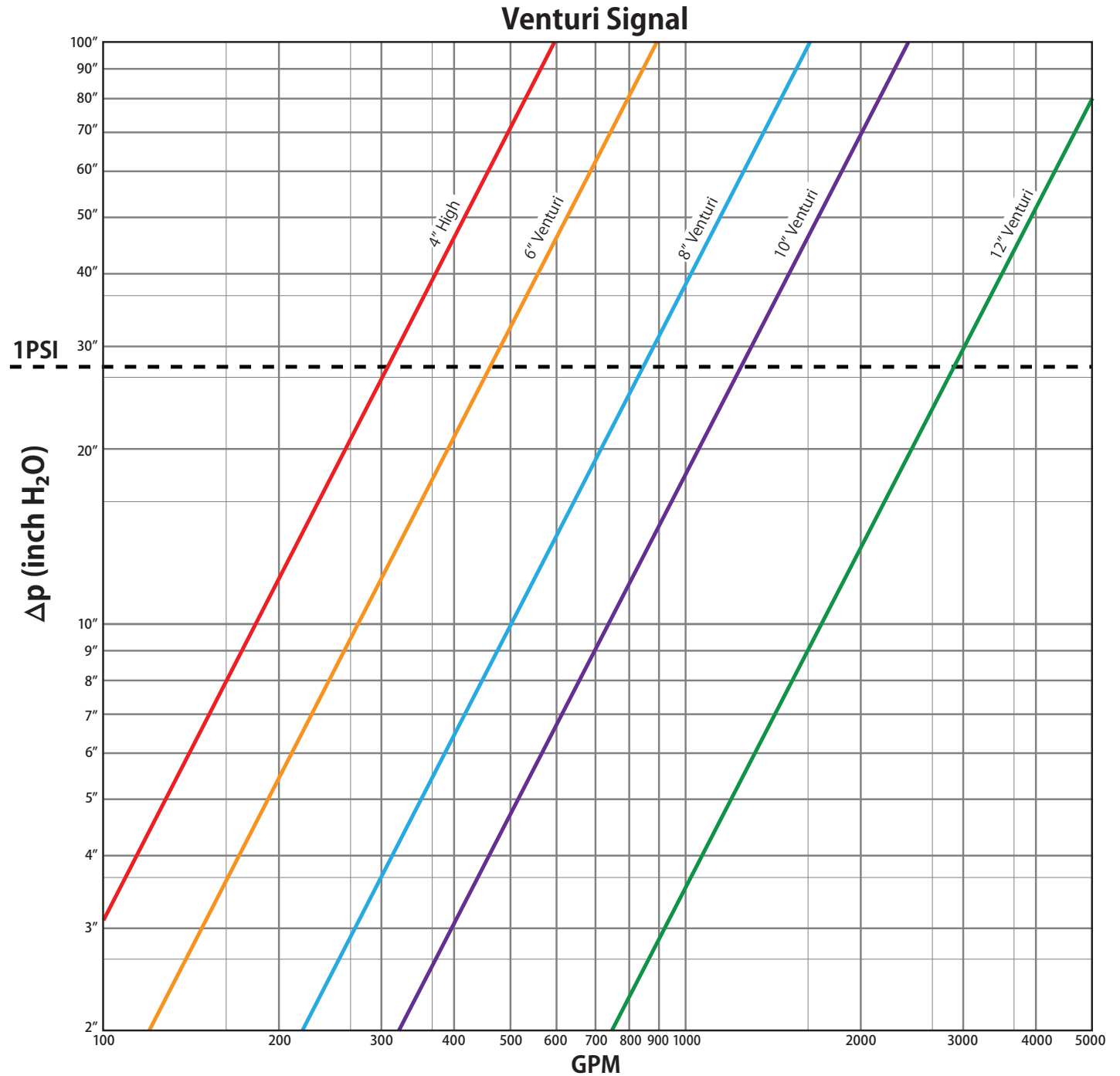


LIT-JHF-TS 103018

Pressure Drop Chart

Terminator B & MS (6" - 12")

Permanent pressure loss is 6% of the differential pressure



Pressure Drop Chart

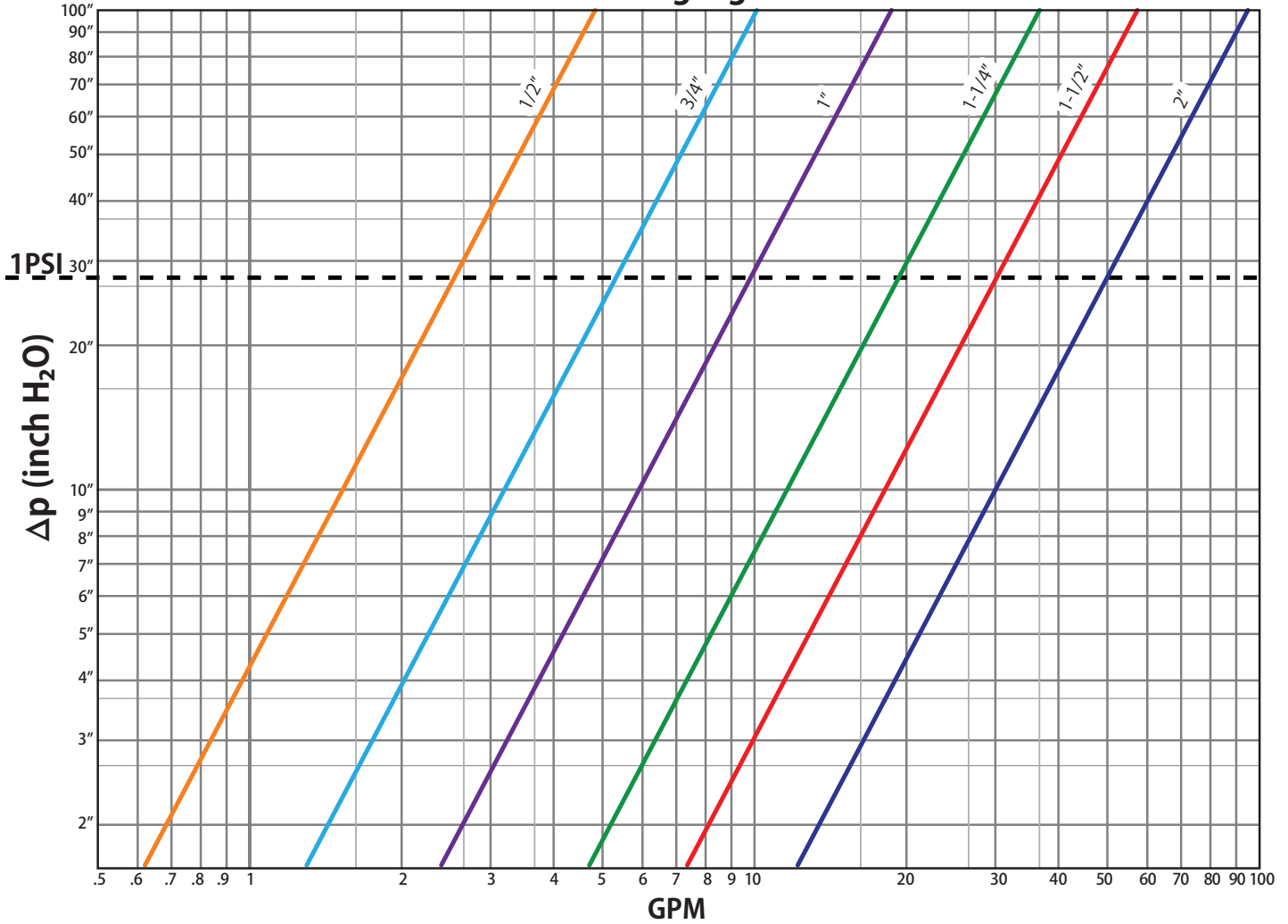


Terminator G (1/2" - 2")

CV of Valves

- 1/2" : 1.99
- 3/4" : 3.43
- 1" : 5.49
- 1-1/4" : 11.85
- 1-1/2" : 19.46
- 2" : 31.51

Metering Signal



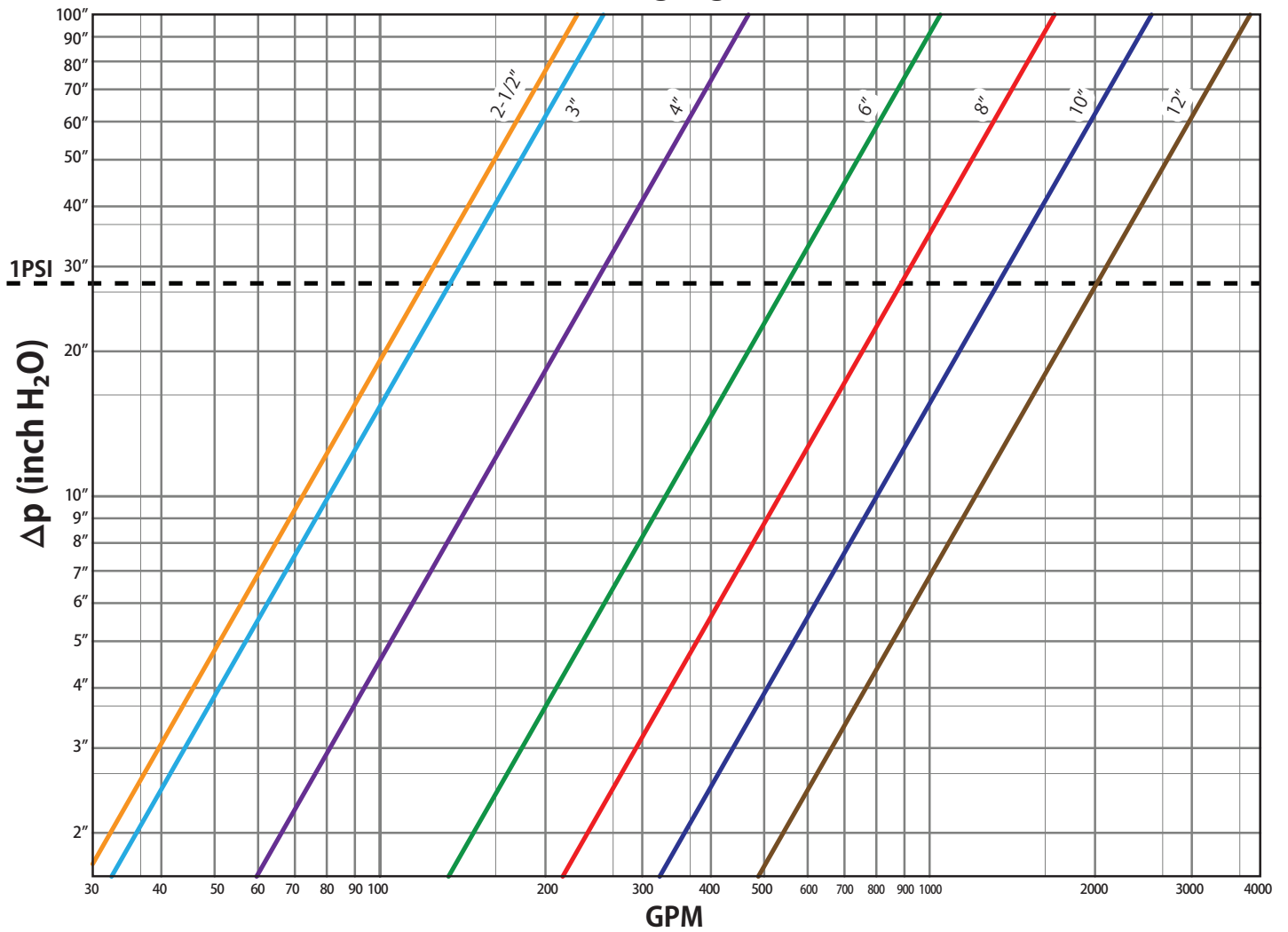
LIT-JHF-TS 103018

Pressure Drop Chart

Terminator G (2-1/2" - 12")

- CV of Valves**
- 2-1/2" : 120.22
 - 3" : 134.10
 - 4" : 246.23
 - 6" : 550.26
 - 8" : 887.81
 - 10" : 1332.87
 - 12" : 2014.91

Metering Signal





7243 Miller Drive • Warren, MI 48092
phone: (586) 268-1220 • fax: (586) 979-8315
www.jomarhydronics.com